

OPERATING MANUAL **BALL SCREWS**
BETRIEBSANWEISUNG
KUGELGEWINDETRIEBE



www.ntn-snr.com



With You



Manufacturer / Hersteller

SNR WÄLZLAGER GMBH

Friedrich-Hagemann-Straße 66

D-33719 Bielefeld

Tel.: +49 (0) 521 924 00 112

Email: linerar.motion@ntn-snr.com



www.ntn-snr.com/documents/linear

Table of contents

1. _____	System technology	E 5
1.1 _____	Definitions	E 5
1.2 _____	Used standards	E 5
1.3 _____	Intended use	E 5
1.4 _____	Safety instructions	E 6
1.5 _____	Selection of Ball Screws	E 6
1.5.1 _____	Tolerance classes	E 7
1.5.2 _____	Tolerances of shape and position	E 8
1.5.3 _____	Idling torque	E 18
1.5.4 _____	Preload	E 20
1.5.5 _____	Rigidity	E 21
1.5.6 _____	Static safety factor	E 23
1.5.7 _____	Service lifetime calculation	E 24
1.5.8 _____	Bearing arrangement of Ball Screws	E 25
1.5.9 _____	Critical speed	E 26
1.5.10 _____	DN value	E 26
1.5.11 _____	Buckling load	E 27
1.5.12 _____	Tension-compression load	E 27
1.5.13 _____	Position accuracy	E 28
1.5.14 _____	Drive power	E 29
<hr/>		
2. _____	Assembling	E 30
2.1 _____	Transport and storage	E 30
2.2 _____	Assembly tolerances	E 30
2.3 _____	Assembly instructions	E 32
2.3.1 _____	Assembly of Ball Screw nuts	E 32
2.3.2 _____	Assembly of fixed bearings	E 33
2.3.2.1 _____	Assembly of bearings type BST	E 33
2.3.2.2 _____	Assembly of fixed bearing units' type BSTK	E 34
2.3.2.3 _____	Assembly of fixed bearing units' type BSTU	E 34
2.3.2.4 _____	Assembly of fixed bearing units type BK -, EK- and FK	E 35
2.3.3 _____	Assembly of floating bearings and floating bearing units	E 35
2.3.4 _____	Assembly of Ball Screws in machines	E 35
<hr/>		
3. _____	Maintenance and lubrication	E 37
3.1 _____	General information	E 37
3.2 _____	Lubrication	E 37
3.3 _____	Lubricants	E 37
3.3.1 _____	Anti-corrosion oils	E 38
3.3.2 _____	Lubrication oils	E 38
3.3.3 _____	Low-viscosity greases	E 39
3.3.4 _____	Lubrication greases	E 40
3.4 _____	Lubrication methods	E 41
3.4.1 _____	Manual grease gun – SNR - LUB GREASE GUN SET	E 41
3.4.2 _____	Central lubrication system	E 42
3.5 _____	Lubricant amounts	E 43
3.6 _____	Lubrication intervals	E 47

Inhaltsverzeichnis

1. _____ Systemtechnologie	D 5
1.1 _____ Definitionen	D 5
1.2 _____ Verwendete Normen	D 5
1.3 _____ Bestimmungsgemäße Verwendung	D 5
1.4 _____ Sicherheitshinweise	D 6
1.5 _____ Auswahl von Kugelgewindetrieben.	D 6
1.5.1 _____ Toleranzklassen	D 7
1.5.2 _____ Form- und Lagetoleranzen.	D 8
1.5.3 _____ Leerlaufdrehmoment	D 18
1.5.4 _____ Vorspannung	D 20
1.5.5 _____ Steifigkeit	D 21
1.5.6 _____ Statischer Sicherheitsfaktor	D 33
1.5.7 _____ Lebensdauerberechnung	D 23
1.5.8 _____ Lagerung von Kugelgewindetrieben.	D 24
1.5.9 _____ Biegekritische Drehzahl	D 25
1.5.10 _____ DN - Wert	D 26
1.5.11 _____ Knickbelastung	D 26
1.5.12 _____ Zug – Druck - Belastungen	D 27
1.5.13 _____ Positioniergenauigkeit	D 28
1.5.14 _____ Antriebsleistung	D 29
<hr/>	
2. _____ Montage	D 30
2.1 _____ Transport und Lagerung.	D 30
2.2 _____ Montagetoleranzen	D 30
2.3 _____ Montageanleitung	D 32
2.3.1 _____ Montage von Kugelgewindemuttern	D 32
2.3.2 _____ Montage von Festlagern	D 33
2.3.2.1 _____ Montage von BST - Lagern	D 33
2.3.2.2 _____ Montage von BSTK - Festlagereinheiten	D 34
2.3.2.3 _____ Montage von BSTU - Festlagereinheiten	D 34
2.3.2.4 _____ Montage von BK -, EK- und FK- Festlagereinheiten.	D 35
2.3.3 _____ Montage von Loslagern und Loslagereinheiten	D 35
2.3.4 _____ Montage von Kugelgewindetrieben in Maschinen	D 29
<hr/>	
3. _____ Wartung und Schmierung	D 37
3.1 _____ Allgemeine Informationen.	D 37
3.2 _____ Schmierung	D 37
3.3 _____ Schmierstoffe.	D 37
3.3.1 _____ Konservierungsöle	D 38
3.3.2 _____ Schmieröle.	D 38
3.3.3 _____ Fließfette	D 39
3.3.4 _____ Schmierfette	D 40
3.4 _____ Schmiermethoden	D 41
3.4.1 _____ Handfettpresse – SNR - LUB GREASE GUN SET	D 41
3.4.2 _____ Zentralschmierungen	D 42
3.5 _____ Schmiermengen	D 43
3.6 _____ Schmierintervalle	D 47

1. System technology

1.1 Definitions

Service life time L

The service life time L is the number of revolutions that a Ball Screw can handle before the first signs of material fatigue become apparent on the raceways or the rolling elements.

Nominal service life time L_{10}

The nominal service life time L_{10} is the calculated service life time of a single Ball Screw or of a group of equivalent Ball Screws operating under equal conditions that can be reached with a probability of 90%, assuming the use of currently common materials of average manufacturing quality and common operating conditions.

Dynamic load rating C_a

The dynamic load rating C_a is the in size and direction constant, axial load that a Ball screw can theoretically withstand for a nominal service life time of 10^6 revolutions.

Static load rating C_{0a}

The static load rating C_{0a} is the constant axial load resulting in a permanent deformation of 0.0001 times of the ball diameter.

1.2 Used standards

DIN ISO 3408-1 _____ Ball screws – Part 1: Vocabulary and designation (ISO 3408-1:2006)

ISO 3408-2 _____ Ball screws; Part 2: Nominal diameters and nominal leads; metric series

DIN ISO 3408-3 _____ Ball screws; Part 3: Acceptance conditions and acceptance tests (ISO 3408-3:2006)

DIN ISO 3408-4 _____ Ball screws – Part 4: Static axial rigidity (ISO 3408-4:2006)

DIN ISO 3408-5 _____ Ball screws – Part 5: Static and dynamic axial load ratings and operational life (ISO 3408-5:2006)

DIN 69051-2 _____ Machine tools; Ball Screws - Part 2: Nominal diameter and nominal pitch

DIN 69051-5 _____ Machine tools; Ball Screws - Part 5: Connection dimensions for Ball Screw nuts

SNR Ball Screws are compliant with EU directive RoHS1 (2011/65/EU).

SNR Ball Screws are not listed in the Machinery directive 2006/42/EG and are therefore not affected by the directive.

1.3 Intended use

Ball Screws are assemblies. SNR Ball Screws may only be used within the limits of the type-specific load data in the product catalogue or supplementary technical calculations by NTN-SNR for converting rotary to linear movements and vice versa.

Ball Screw drives may only be operated and serviced by persons who are familiar with them and have been informed about the dangers. This also means that this documentation has been completely read and taken note of.

Furthermore, an operating temperature between -10°C and $+75^{\circ}\text{C}$ must be adhered to.

Any other or additional use is considered improper. The manufacturer is not liable for any resulting damage. The user bears the risk alone.

1.4 Safety instructions

The following safety instructions must be observed when using Ball Screws:

- Use Ball Screws only in accordance with the intended use.
- Ball Screws may only be used within the limits of the technical parameters permitted in the product catalogue.
- Only products in a technically perfect condition may be used.
- In principle, changes to ball screws are not permitted.
- Do not reach into moving or rotating parts.
- Ball Screws must not be driven to the end stops.
- Use in safety-relevant applications is only permitted if such use is expressly specified in the product catalogue or has been confirmed by NTN-SNR.
- Ball Screws may only be used under the environmental conditions described in the product catalogue.
- Ball Screws may only be put into operation when it has been established that the assembly or the end product into which the Ball Screws have been installed complies with the country-specific regulations, safety regulations and standards of the application.
- Only accessories and spare parts approved by the manufacturer may be used.
- Do not stand under suspended loads. The individual components of Ball Screws are designed for the service life time of the Ball Screw. In exceptional cases, defects can occur and, if the Ball Screws are installed in a vertical position, the installed components can fall. Appropriate protective measures in accordance with EN ISO 13849-1 must be taken against this.
- The applicable regulations for accident prevention and environmental protection must be observed.
- Appropriate protective equipment must be worn when assembling and working on ball screws.
- Suitable and tested load handling devices that are adapted to the weight are to be used for lifting and transport.
- After all work on the machine, the safety devices must be re-assembled according to regulations and their function checked.
- Before start-up, ensure that all safety devices required for the application are available, properly installed and fully functional.
- Possible danger areas are to be clearly marked.

1.5 Selection of Ball Screws

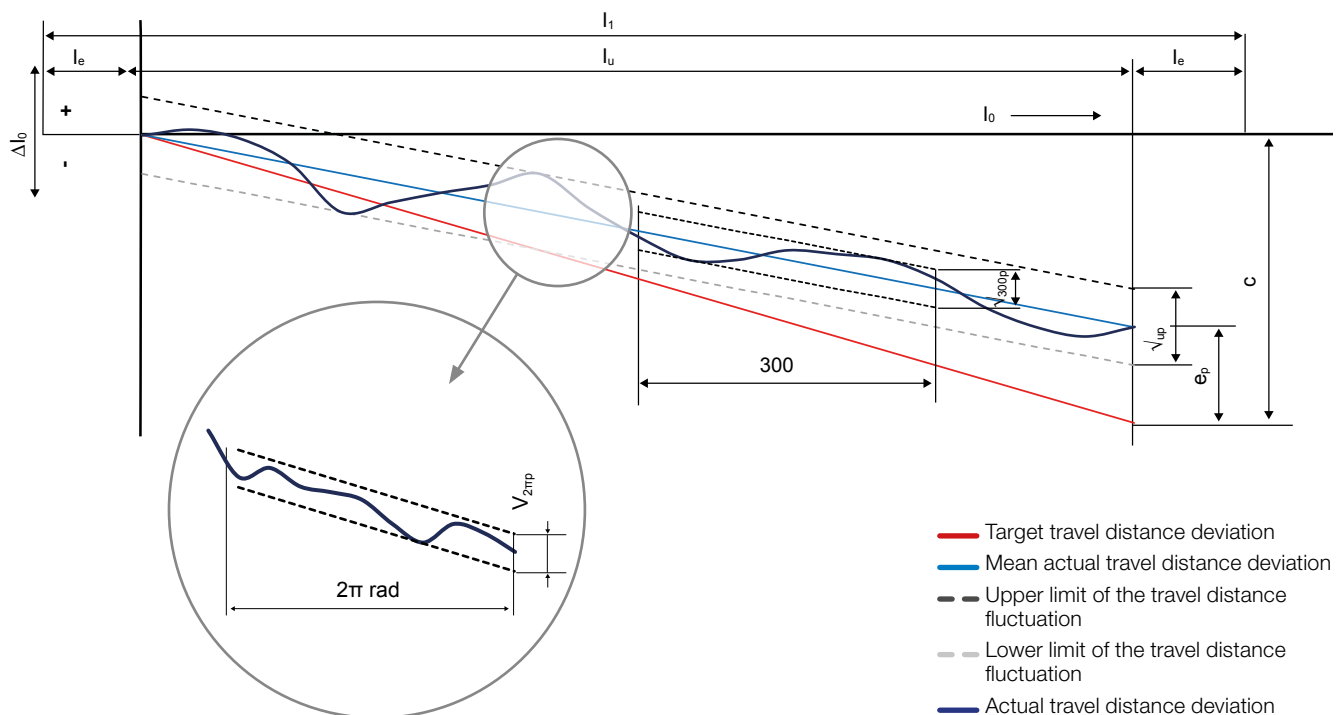
The selection of Ball Screws is determined by many application factors:

- Accuracy requirements
- Rigidity requirements
- Loads
- Dynamic requirements
- Service life time
- Installation space
- ...

1.5.1 Tolerance classes

Ball Screws are classified according to DIN ISO3408-3 in tolerance classes 10 to 0 with increasing accuracy. In addition to the classification according to DIN ISO, there is occasionally a classification of the tolerance classes according to the Japanese standards JIS B 1191 and JIS B 1192, which differs only slightly from DIN ISO. SNR Ball Screws are specified according to DIN ISO3408.

In addition to the differentiation between tolerance classes, Ball Screws are also differentiated according to transport and positioning Ball Screws. Transport Ball Screws can be designed in tolerance classes T10 to T0 and positioning Ball Screws in tolerance classes P5 to P0. The differentiation between transport and positioning Ball Screws is based on the type and number of tolerances to be checked for the travel distance deviation over the reference length. The diagram in Figure 2.1 shows the tolerances for checking the travel distance deviation.



l_0	Nominal travel distance	Product of nominal pitch and number of revolutions
Δl_0	Travel distance deviation	
l_1	Thread length	
l_e	Overrun	Distance over which the required accuracy is not applied
l_u	Useful travel distance	Travel distance + length of the Ball Screw nut
C	Travel distance compensation	Difference between mean travel distance and nominal travel distance over the useful travel distance (standard $C=0$)
e_p	Limit for mean actual travel distance deviation	Half the difference between the maximum and minimum value of the permitted mean actual travel distance
$\sqrt{u_p}$	Tolerance of the travel distance deviation over the useful travel distance l_u	
$\sqrt{300p}$	Travel distance deviation tolerance over 300mm travel distance	Can be measured at any point on the threaded spindle
$\sqrt{2\pi p}$	Travel distance deviation tolerance per revolution	

Figure 2.1 ___ Checking the travel distance deviation of Ball Screws

Table 2.1 contains the overview of the respective test criteria.

Table 2.1 ____ Test criteria for Ball Screws

Travel deviations per reference length	Positioning Ball Screw	Transport Ball Screw
	Test	
Travel compensation C for useful travel l_u	Specified by user	C = 0
Tolerance on specified travel e_p	E1.1	E1.2
Permissible travel variation $\sqrt{v_{up}}$ within useful travel l_u	E2	-
Permissible travel variation $\sqrt{v_{300p}}$ within 300 mm travel	E3	E3
Permissible travel variation $\sqrt{v_{2cp}}$ within 2_{crad}	E4	-

Test E1.1 – Tolerance of the mean travel distance deviations of positioning Ball Screws

The values for the nominal travel distance deviation of positioning Ball Screws depend on the length of the Ball Screw. The permissible tolerances are summarized in Table 2.2.

Table 2.2 ____ Mean travel distance deviations for positioning Ball Screws

Useful travel distance l_u [μm]		Tolerance on specified travel distance e_p [μm]					
>	≤	Tolerance class					
		0	1	3	5	7	10
0	315	4	6	12	23	-	-
315	400	5	7	13	25	-	-
400	500	6	8	15	27	-	-
500	630	6	9	16	32	-	-
630	800	7	10	18	36	-	-
800	1 000	8	11	21	40	-	-
1 000	1 250	9	13	24	47	-	-
1 250	1 600	11	15	29	55	-	-
1 600	2 000	-	18	35	65	-	-
2 000	2 500	-	22	41	78	-	-
2 500	3 150	-	26	50	96	-	-
3 150	4 000	-	32	62	115	-	-
4 000	5 000	-	-	76	140	-	-
5 000	6 300	-	-	-	170	-	-

Test E1.2 – Tolerance of the mean travel distance deviations of transport Ball Screws

The values for the mean travel distance deviation of transport Ball Screws are only dependent on the useful travel distance l_u . The permissible tolerances are calculated according to the formula in Table 2.3.

Table 2.3 Mean travel distance deviations for transport Ball Screws

Tolerance on specified travel distance l_u						
e_p [μm]						
Tolerance class						
0	1	3	5	7	10	

$$e_p = \pm \frac{l_u}{300} v_{300p}$$

Test E2 – Tolerance of the travel distance deviations $\sqrt{v_{300p}}$ over the useful travel distance l_u of positioning Ball Screws

The values for the travel distance deviation $\sqrt{v_{up}}$ of positioning Ball Screws depend on the length of the Ball Screw. The permissible tolerances are summarized Table 2.4.

Table 2.4 Tolerance of the travel distance deviations $\sqrt{v_{up}}$ of positioning Ball Screws

Useful travel distance l_u [μm]		Travel distance variation $\sqrt{v_{up}}$ [μm]					
>	\leq	Tolerance class					
		0	1	3	5	7	10
0	315	3,5	6	12	23	-	-
315	400	3,5	6	12	25	-	-
400	500	4	7	13	26	-	-
500	630	4	7	14	29	-	-
630	800	5	8	16	31	-	-
800	1 000	6	9	17	34	-	-
1 000	1 250	6	10	19	39	-	-
1 250	1 600	7	11	22	44	-	-
1 600	2 000	-	13	25	51	-	-
2 000	2 500	-	15	29	59	-	-
2 500	3 150	-	17	34	69	-	-
3 150	4 000	-	21	41	82	-	-
4 000	5 000	-	-	49	99	-	-
5 000	6 300	-	-	-	119	-	-

Test E3 – Tolerance of the travel distance deviations $\sqrt{v_{300p}}$ over 300 mm of positioning and transport Ball Screws

The values for the travel distance deviation $\sqrt{v_{300p}}$ of positioning and transport Ball Screws refer to a distance of 300 mm at each point on the Ball Screw. The permissible tolerances are summarized Table 2.5.

Table 2.5_____ Tolerance of the travel distance deviations $\sqrt{v_{300p}}$ of Ball Screws

Travel distance variation within 300 mm					
$\sqrt{v_{300p}}$ [μm]					
Tolerance class					
0	1	3	5	7	10
3,5	6	12	23	52 ¹	210 ¹

¹ only for transport Ball Screws

Test E4 – Tolerance of the travel distance deviations $\sqrt{v_{2\pi p}}$ per revolution of positioning Ball Screws

The values for the travel distance deviation $\sqrt{v_{2\pi p}}$ of positioning Ball Screws refer to one revolution of the Ball Screw. The permissible tolerances are summarized Table 2.6.

Table 2.6_____ Tolerance of the travel distance deviations $\sqrt{v_{2\pi p}}$ of positioning Ball Screws

Travel distance variation within 2π rad					
$\sqrt{v_{2\pi p}}$ [μm]					
Tolerance class					
0	1	3	5	7	10
3	4	6	8	-	-

1.5.2 Tolerances of shape and position

Positioning and transport Ball Screws must meet requirements for concentricity, axial runout and parallelism tolerances according to DIN ISO3408-3, depending on the tolerance classes. The respective tolerances to be checked are explained below. Deviating requirements for these tolerances can be defined according to a drawing.

Our NTN-SNR application engineers are available for further information.

Test E5 – Measurement of the concentricity deviation t_s of the Ball Screw shaft outer diameter of positioning and transport Ball Screws

The measurement takes place on the shaft, which is placed on identical V-blocks, over the length l_s to determine the straightness between the bearing points AA' according to Figure 2.2. The tolerances are summarized Table 2.7.

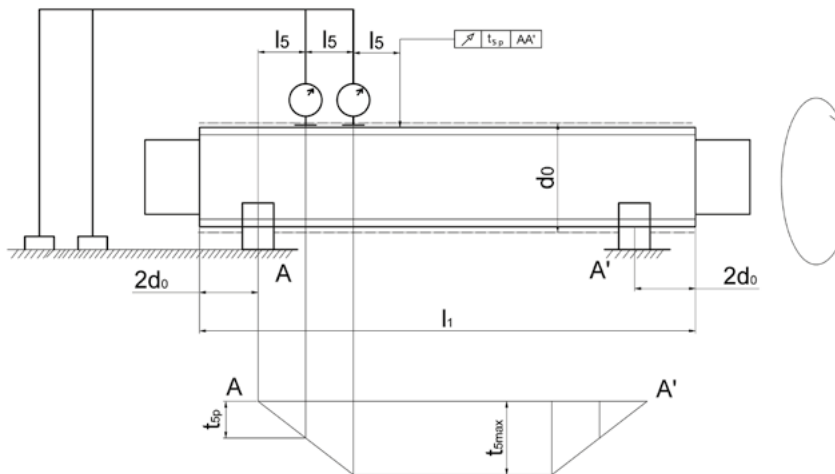


Figure 2.2 — Measurement of the concentricity deviation t_s of the Ball Screw shaft outer diameter

Table 2.7 — Concentricity deviation t_s of the Ball Screw shaft outer diameter

Nominal diameter d_0 [mm]		l_s [mm]	Radial run-out, t_{sp} for l_s [μ m]					
>	\leq		Tolerance class					
			0	1	3	5	7	10
6	12	80	16	20	25	32	40	80
12	25	160						
25	50	315						
50	100	630						
100	200	1 250						

l_1 / d_0 [mm]			Radial run-out, $t_{smax p}$ for $l_1 > 4 \times l_s$ [μ m]					
>	\leq		Tolerance class					
			0	1	3	5	7	10
-	40		32	40	50	64	80	160
40	60		48	60	75	96	120	240
60	80		80	100	125	160	200	400
80	100		128	160	200	256	320	640

Test E6.1 – Measurement of the concentricity deviation $t_{6.1}$ of the bearing seat related to the length l of positioning and transport Ball Screws

The measurements to determine the concentricity of the bearing seat are carried out on the shaft, which is placed on identical V-blocks AA', according to Figure 2.3. The tolerances are summarized Table 2.8.

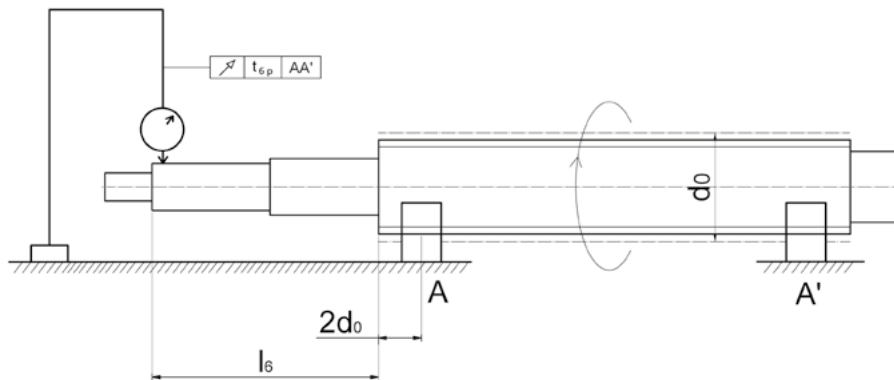


Figure 2.3 ___ Measurement of the concentricity deviation $t_{6.1}$ of the bearing seat

Table 2.8 ___ Concentricity deviation $t_{6.1}$ of the bearing seat

Nominal diameter d_0 [mm]		l [mm]	Radial run-out, $t_{6.1 p}$ for l [μ m]				
>	\leq		Tolerance class				
			1	3	5	7	10
6	20	80	10	12	20	40	63
20	50	125	12	16	25	50	80
50	125	200	16	20	32	63	100
125	200	315	-	25	40	80	125

Test E6.2 – Measurement of the concentricity deviation $t_{6.2}$ of the bearing seat related to the centering line of the shaft of positioning and transport Ball Screws

The measurement is carried out on the Ball Screw shaft placed on a larger number of balls of the same size as in normal use near both ends of the threaded section according to Figure 2.4. The tolerances are summarized Table 2.9.

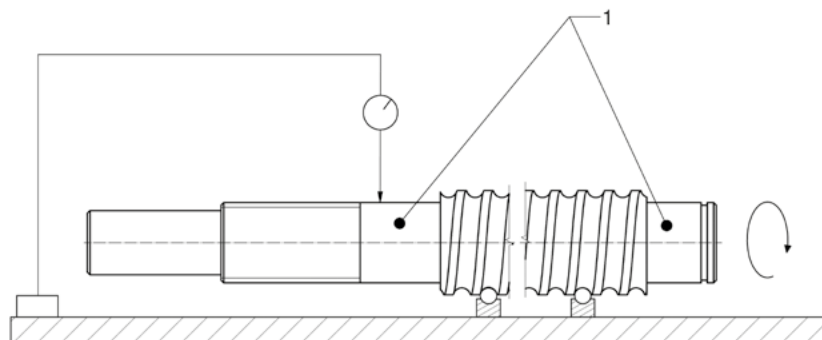


Figure 2.4 ___ Measurement of the concentricity deviation $t_{6.2}$ of the bearing seat

Table 2.9 ___ Concentricity deviation $t_{6.2}$ of the bearing seat

Nominal diameter d_0 [mm]		Radial run-out $t_{6.2p}$ [μm]					
>	\leq	Tolerance class					
		0	1	3	5	7	10
-	8	3	5	8	10	-	-
8	12	4	5	8	11	-	-
12	20	4	6	9	12	-	-
20	32	5	7	10	13	-	-
32	50	6	8	12	15	-	-
50	80	7	9	13	17	-	-
80	125	-	10	15	20	-	-

Test E7.1 – Measurement of the concentricity deviation $t_{7.1}$ of the journal diameter refer to the bearing seat by calculating the difference for positioning and transport Ball Screws

The measurement is carried out on identical V-blocks AA' placed shaft according to Figure 2.5.
The tolerances are summarized Table 2.10.

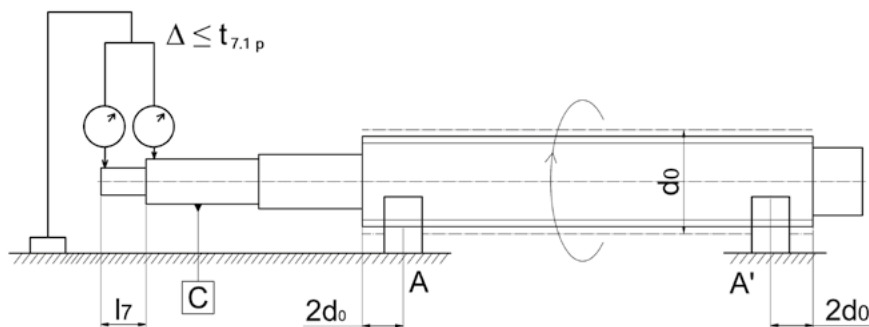


Figure 2.5 ___ Measurement of the concentricity deviation $t_{7.1}$ of the journal diameter

Tabelle 2.10 _ Concentricity deviation $t_{7.1}$ of the journal diameter

Nominal diameter d_0 [mm]		l [mm]	Radial run-out $t_{7.1p}$ for l [μm]				
>	\leq		Tolerance class				
			1	3	5	7	10
6	20	80	5	6	8	12	16
20	50	125	6	8	10	16	20
50	125	200	8	10	12	20	25
125	200	315	-	12	16	25	32

Test E7.2 – Measurement of the concentricity deviation $t_{7.2}$ of the journal diameter related to the centering line of the bearing seat of positioning and transport Ball Screws

The measurement is carried out on the shaft placed horizontally in identical V-blocks on its bearing seats, as shown in Figure 2.6. The tolerances are summarized Table 2.11.

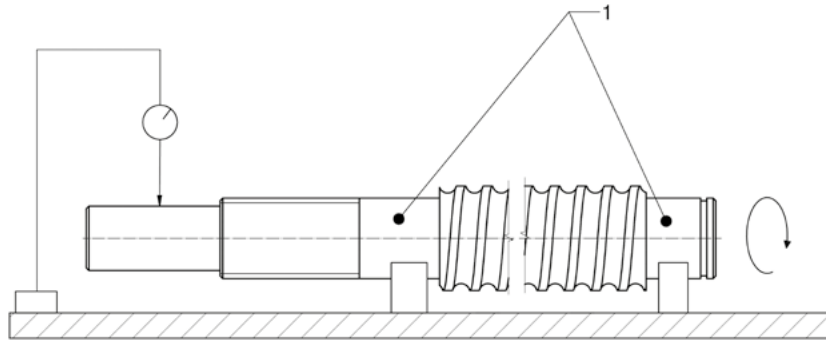


Figure 2.6 ___ Measurement of the concentricity deviation $t_{7.2}$ of the journal diameter

Table 2.11 Concentricity deviation $t_{7.2}$ of the journal diameter

Nominal diameter d_0 [mm]		Radial run-out $t_{7.2p}$ [μm]					
>	\leq	Tolerance class					
		0	1	3	5	7	10
-	8	3	5	8	10	-	-
8	12	4	5	8	11	-	-
12	20	4	6	9	12	-	-
20	32	5	7	10	13	-	-
32	50	6	8	12	15	-	-
50	80	7	9	13	17	-	-
80	125	-	10	15	20	-	-

Test E8.1 – Measurement of the axial run-out $t_{8.1}$ of the bearing surfaces in relation to AA' for positioning and transport Ball Screws

The measurement is carried out on identical V-blocks AA' paced shaft according to Figure 2.7. The tolerances are summarized Table 2.12.

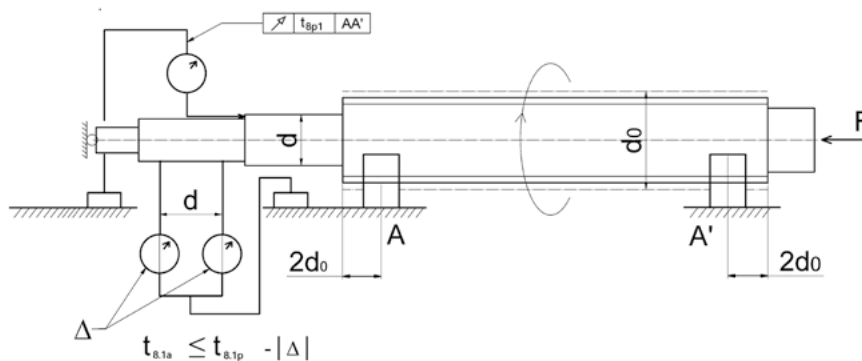


Figure 2.7 Measurement of the axial run-out $t_{8.1}$ of the bearing surfaces

Table 2.12 ___ Axial run-out $t_{8,1}$ of the bearing surfaces

Nominal diameter d_0 [mm]		Axial run-out $t_{8,1p}$ [μm]				
>	\leq	Tolerance class				
		1	3	5	7	10
6	63	3	4	5	6	10
63	125	4	5	6	8	12
125	200	-	6	8	10	16

Test E8.2 – Measurement of the axial run-out $t_{8,2}$ of the bearing surfaces related to the centering line of positioning and transport Ball Screws

The measurement is carried out on identical V-blocks AA' paced shaft according to Figure 2.8.
The tolerances are summarized Table 2.13.

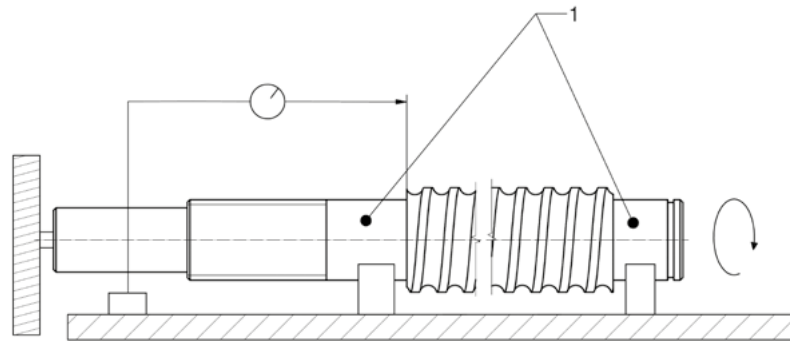


Figure 2.8 ___ Measurement of the axial run-out $t_{8,2}$ of the bearing surfaces

Table 2.13 ___ Axial run-out $t_{8,2}$ of the bearing surfaces

Nominal diameter d_0 [mm]		Axial run-out $t_{8,2p}$ [μm]					
>	\leq	Tolerance class					
		0	1	3	5	7	10
-	8	2	3	4	5	-	-
8	12	2	3	4	5	-	-
12	20	2	3	4	5	-	-
20	32	2	3	4	5	-	-
32	50	2	3	4	5	-	-
50	80	3	4	5	7	-	-
80	125	-	4	6	8	-	-

Test E9 – Measurement of the axial runout t_{9p} of the contact surfaces of the Ball Screw nut based on AA' of preloaded positioning and transport Ball Screws

The measurement is carried out on identical V-blocks AA' paced shaft according to Figure 2.9.
The tolerances are summarized Table 2.14.

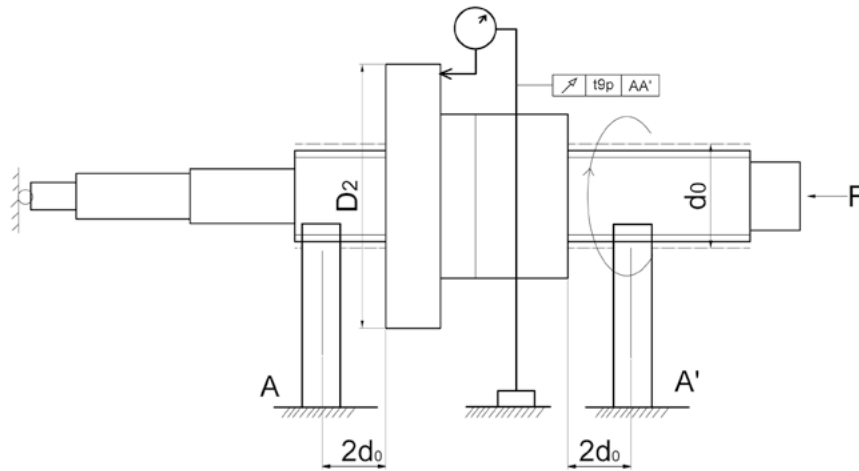


Figure 2.9 — Measurement of the axial runout t_{9p} of the contact surfaces of the Ball Screw nut

Table 2.14 — Axial runout t_{9p} of the contact surfaces of the Ball Screw nut

Flange outer diameter D_2 [mm]		Axial run-out t_{9p} [μm]					
>	\leq	Tolerance class					
		0	1	3	5	7	10
16	32	8	10	12	16	20	-
32	63	10	12	16	20	25	-
63	126	12	16	20	25	32	-
126	250	16	20	25	32	40	-
250	500	-	-	32	40	50	-

Test E10 – Measurement of the radial runout t_{10} of the outer diameter of the Ball Screw nut based on AA' of preloaded positioning and transport Ball Screws

The measurement is carried out on identical V-blocks AA' paced shaft according to Figure 2.10. The tolerances are summarized Table 2.15.

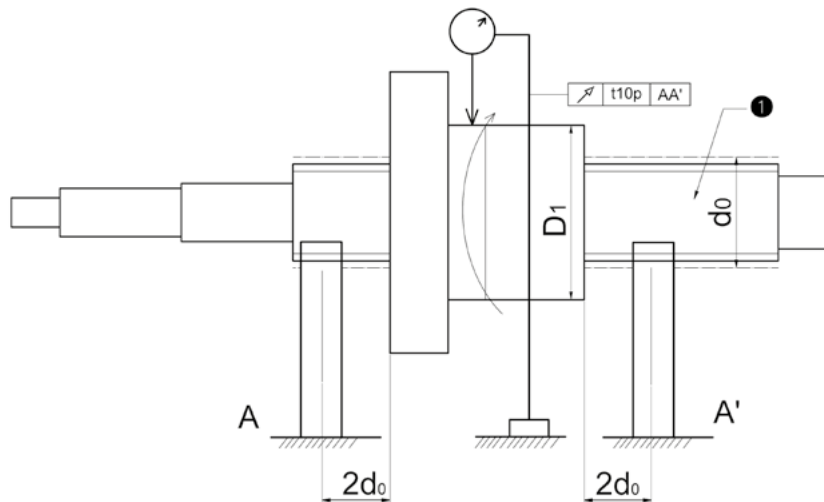


Figure 2.10 _ Measurement of the radial runout t_{10} of the outer diameter of the Ball Screw nut

Table 2.15 __ Radial runout t_{10} of the outer diameter of the Ball Screw nut

Nut outer diameter D_1 [mm]		Radial run-out t_{10p} [μm] Tolerance class					
>	\leq	0	1	3	5	7	10
16	32	8	10	12	16	20	-
32	63	10	12	16	20	25	-
63	126	12	16	20	25	32	-
126	250	16	20	25	32	40	-
250	500	-	-	32	40	50	-

1.5.3 Idling torque

The idling torque of a Ball Screw is composed of the idling torque by the preload and the idling torque of the sealing elements. The mean idling torque T_{p0} by preload is calculated according to Formula 2.1 and is subject to deviations according to DIN ISO 3408 depending on the tolerance class according to Diagram 2.11 and Table 2.15.

$$T_{p0} = \frac{F_{pr} \times P}{2\pi \times 10^3}$$

[Formula 2.1]

T_{p0} Mean idling torque by preload [Nm]
 F_{pr} Preload force [N]
 P Pitch [mm]

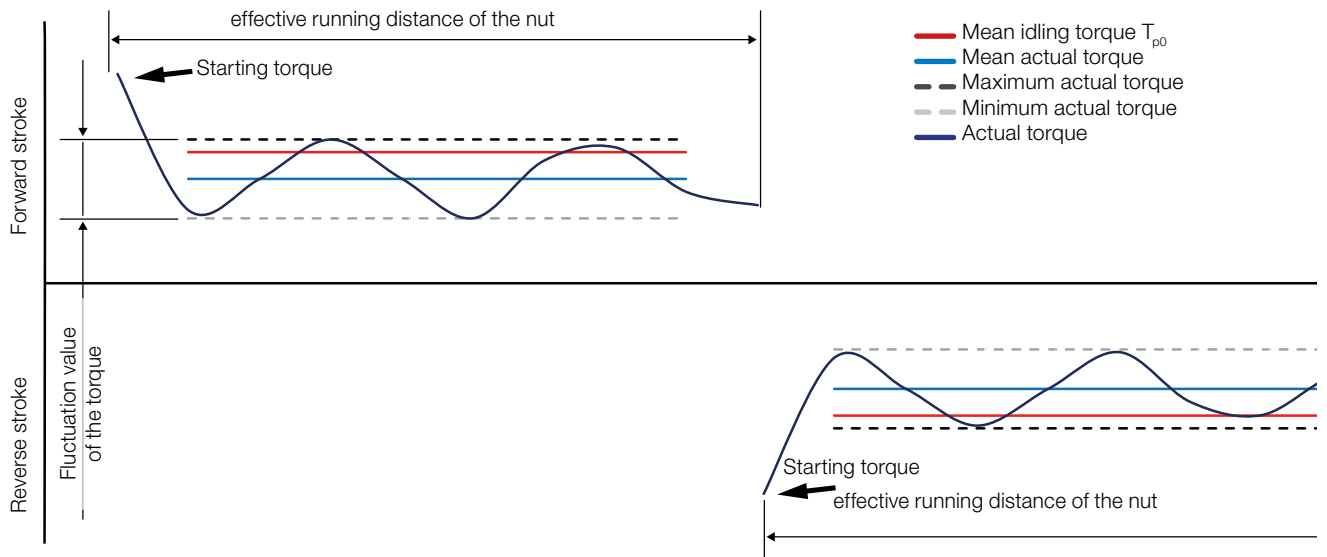


Figure 2.11 — Idling torque deviation of Ball Screws

Table 2.16 ___ Idling torque deviation of Ball Screws

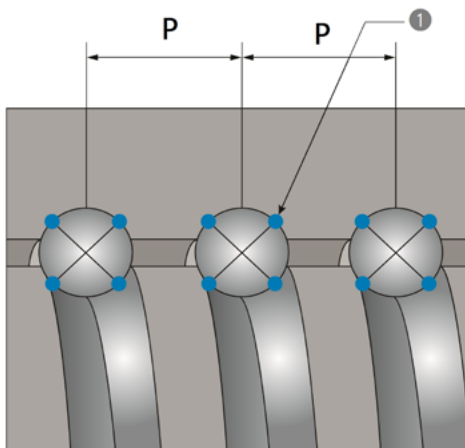
Mean idling torque [mm]		Total length ≤ 4 000 mm Thread length Nominal diameter ≤ 40 Tolerance class					
		0	1	3	5	7	10
>	≤	Δ T _{pp} [% von T _{p0}]					
0,2	0,4	± 30	± 35	± 40	± 50	-	-
0,4	0,6	± 25	± 30	± 35	± 40	-	-
0,6	1,0	± 20	± 25	± 30	± 35	± 40	-
1,0	2,5	± 15	± 20	± 25	± 30	± 35	-
2,5	6,3	± 10	± 15	± 20	± 25	± 30	-
6,3	10,0	-	-	± 15	± 20	± 30	-

Mean idling torque [mm]		Total length ≤ 4 000 mm 40 < Thread length Nominal diameter ≤ 60 Tolerance class					
		0	1	3	5	7	10
>	≤	Δ T _{pp} [% von T _{p0}]					
0,2	0,4	± 40	± 40	± 50	± 60	-	-
0,4	0,6	± 35	± 35	± 40	± 45	-	-
0,6	1,0	± 30	± 30	± 35	± 40	± 45	-
1,0	2,5	± 25	± 25	± 30	± 35	± 40	-
2,5	6,3	± 20	± 20	± 25	± 30	± 35	-
6,3	10,0	-	-	± 20	± 25	± 35	-

Mean idling torque [mm]		Total length > 4 000 mm Tolerance class					
		0	1	3	5	7	10
>	≤	Δ T _{pp} [% von T _{p0}]					
0,2	0,4	Not specified					
0,4	0,6						
0,6	1,0	-	-	± 40	± 45	± 50	-
1,0	2,5	-	-	± 35	± 40	± 45	-
2,5	6,3	-	-	± 30	± 35	± 40	-
6,3	10,0	-	-	± 25	± 30	± 35	-

1.5.4 Preload

Preload eliminates axial clearance and increases rigidity of a Ball Screw. In order to realize preload in Ball Screws, there are various possibilities.

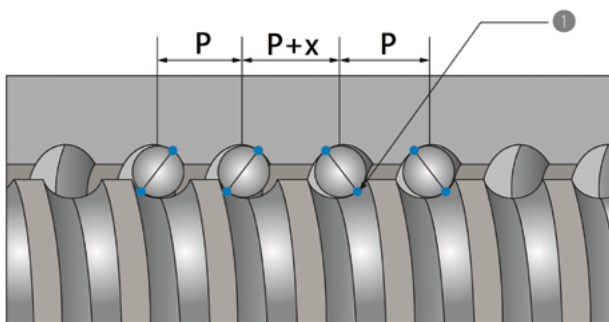


For standard single nuts, balls with a defined oversize can be mounted. Due to the four-point contact of the balls (Figure 2.12), the friction increases very sharply, so that this preload method is only suitable for Ball Screws without axial clearance or light preload.

- P** Pitch
- 1** Ball with four-point contact

Figure 2.12 _ Single nut with preload

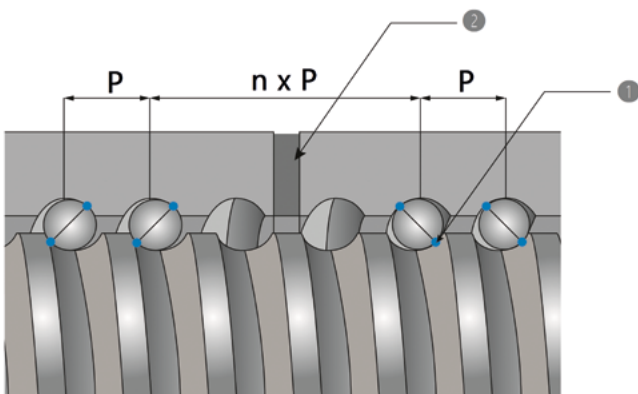
Another possibility for preload in single nuts is pitch offset. These nuts contain a defined offset in the middle between the ball deflections. Thus, the balls get two-point contact (Figure 2.13) with only a slight increase in friction. This preload method is suitable for medium preload.



- P** Pitch
- x** Pitch offset
- 1** Ball with two-point contact

Figure 2.13 __ Single nut with pitch offset and preload

For double nuts, the preload is achieved by installing a spacer element with a defined thickness. The two nut halves are braced against each other. Thus, the balls get two-point contact (Figure 2.14) with only a slight increase in friction. This preload method is suitable for medium and high preload.



- P** Pitch
- 1** Ball with two-point contact
- 2** Distance element

Figure 2.14 __ Double nut with preload

1.5.5 Rigidity

The increase in the axial rigidity of feeding axis with Ball Screws is necessary to reduce the displacement under the influence of external loads and to increase the positioning accuracy.

The elastic axial displacement of a feeding axis under axial load is calculated according to Formula 2.2.

$$\sigma = \frac{10^3 \times \Delta F_a}{K}$$

[Formula 2.2]

σ Elastic axial displacement [μm]
 ΔF_a Variation of the axial force [kN]
 K Axial overall rigidity [N/ μm]

The axial overall rigidity consists of various individual rigidities according to Formula 2.3.

$$\frac{1}{K} = \frac{1}{K_N} + \frac{1}{K_S} + \frac{1}{K_B} + \frac{1}{K_A}$$

[Formula 2.3]

K Axial overall rigidity [N/ μm]
 K_N Axial rigidity of the nut [N/ μm]
 K_S Axial rigidity of the shaft [N/ μm]
 K_B Axial rigidity of the bearing unit [N/ μm]
 K_A Axial rigidity of the nut adaption [N/ μm]

Axial rigidity of the nut K_N

The axial rigidity of the nut is mainly determined by the preload.

Nuts without preload

The theoretical information in the data tables for Ball Screw nuts without preload in catalogue Chapter 5.2 are based on nuts with an axial load of 30% of the dynamic load rating. If the axial load is more than 30% of the dynamic load rating, the rigidity value is calculated according to Formula 2.4, whereby 80% of the dynamic load rating must not be exceeded.

$$K_{N80} = 0,8 K_N \sqrt[3]{\frac{F_a}{0,3 C_a}}$$

[Formula 2.4]

K_{N80} Axial rigidity of the nut with axial load $>0,3C_a$ [N/ μm]
 K_N Axial rigidity of the nut [N/ μm]
 F_a Variation of the axial force [kN]
 C_a Dynamic load rating [kN]

Nuts with preload

The theoretical information in the data tables for Ball Screw nuts with preload in catalogue Chapter 5.2 are based on nuts with a preload of 10% of the dynamic load rating. If the preload deviates from the 10% of the dynamic load rating, the rigidity value is calculated according to Formula 2.5.

$$K_{N10} = 0,8 K_N \sqrt[3]{\frac{F_{a0}}{0,1 C_a}}$$

[Formula 2.5]

K_{N10} Axial rigidity of the nut with preload $0,1C_a$ [N/ μm]
 K_N Axial rigidity of the nut [N/ μm]
 F_{a0} Preload forc [kN]
 C_a Dynamic load rating [kN]

Axial rigidity of the shaft K_s

The axial rigidity of the shaft is mainly determined by the bearing arrangement.

For the bearing arrangements fixed-supported and fixed-free (Figure 2.15 and 2.16), the rigidity value is calculated according to Formula 2.6.

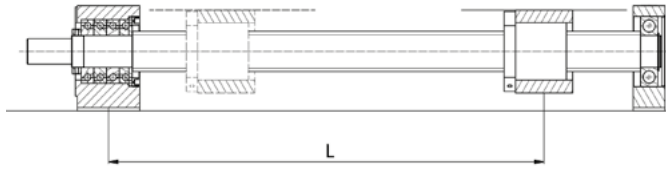


Figure 2.15 __ Bearing arrangement fixed - supported

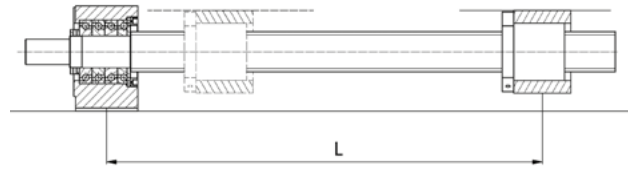


Figure 2.16 __ Bearing arrangement fixed - free

$$K_s = \frac{\pi \times d_2^2 \times E}{4 \times 10^3 \times L}$$

[Formula 2.6]

K_s	Axial rigidity of the shaft [N/ μ m]
d_2	Core diameter [mm]
E	Modulus of elasticity [2,06 x 10 ⁵ N/mm ²]
L	Unsupported shaft length [mm]

For the bearing arrangement fixed-fixed (Figure 2.17), the rigidity value is calculated according to Formula 2.7. The stiffness value reaches the minimum at the nut position $L_1 = L_2 = L / 2$.

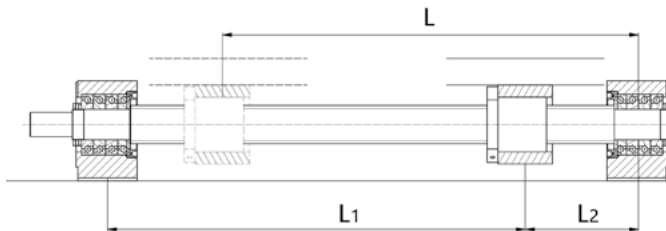


Figure 2.17 __ Bearing arrangement fixed - fixed

$$K_s = \frac{\pi \times d_2^2 \times E \times L}{4 \times 10^3 \times L_1 \times L_2}$$

[Formula 2.7]

K_s	Axial rigidity of the shaft [N/ μ m]
d_2	Core diameter [mm]
E	Modulus of elasticity [2,06 x 10 ⁵ N/mm ²]
L	Unsupported shaft length [mm]
L_1	Distance between nut and bearing with the drive [mm]
L_2	Distance between nut and bearing without the drive [mm]

Axial rigidity of the bearing unit K_b

The information on the axial rigidity of the bearing units in the different versions can be found in the data tables in catalogue Chapter 6.1.

Axial rigidity of the nut adaption K_A

Nut adapters are not standard parts. The axial rigidity of the nut adapter depends on the exact version. This should be designed as stiff as possible. It is for NTN-SNR not possible to specify stiffness values.

1.5.6 Static safety factor

To ensure reliable operation of a Ball Screw, it is important that the local plastic deformations of the raceways and balls under load do not exceed the permissible limit values.

The static safety factor is determined according to Formula 2.8. Under conditions of use at elevated temperatures and with ball screws made of special materials, influencing factors according to the diagrams in Figures 2.18 and 2.19 must be considered.

$$f_s = \frac{f_H \times f_T \times C_{0a}}{F_{max}}$$

[Formula 2.8]

f_s Static safety factor
 f_H Hardness factor
 f_T Temperature factor
 C_{0a} Static load rating [kN]
 F_{max} Maximum axial load [kN]

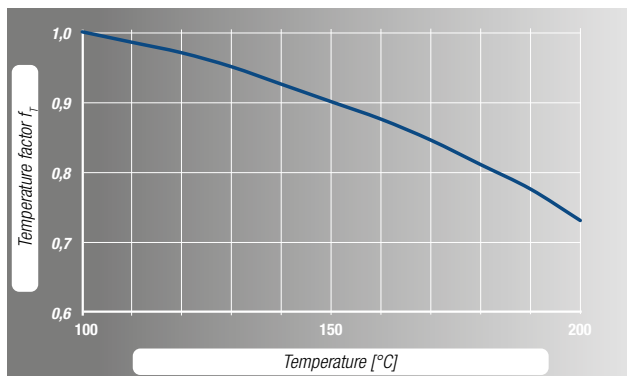


Figure 2.18 __ Temperature factor f_T

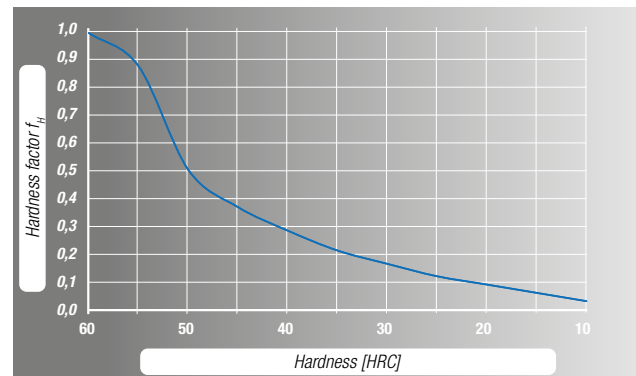


Figure 2.19 _ Hardness factor f_H

Depending on the operating conditions, recommendations for the size of the static safety factor are summarized in Table 2.17.

Table 2.17 __ Recommended values for the static safety factor

Operating condition	Static safety factor f_s
slow movement low loads no vibration and shocks	1,0...1,3
slow movement low loads light vibration and shocks	1,2...1,7
slow movement medium loads vibration and shocks	1,5...2,5
fast movement high loads vibration and shocks	2,0...4,0
fast movement high loads strong vibration and shocks	3,0...8,0

1.5.7 Service lifetime calculation

The raceways and balls of Ball Screws are exposed to loads during operation that lead to material fatigue. The nominal service lifetime L_{10} is calculated according to Formula 2.9 as the total number of revolutions of a Ball Screw until material fatigue occurs in the raceways. The influencing factors f_T and f_H (Chapter 1.5.6) must also be considered here. When calculating the nominal service lifetime L the load factor f_w is to be considered additionally. Recommendations for the load factor are given in Table 2.18.

$$L_{10} = \left(\frac{f_T \times f_H}{f_w} \times \frac{C_a}{F_m} \right)^3 \times 10^6$$

[Formula 2.9]

- L_{10} Nominal service lifetime [min^{-1}]
- f_H Hardness factor
- f_T Temperature factor
- f_w Load factor
- C_a Dynamic load rating [kN]
- F_m Mean axial load [kN]

Table 2.18 __ Recommended values for the load factor f_w

Operating conditions	Velocity [m/s]	Load factor f_w
no or very low vibration and shocks	$\leq 0,25$	1,0...1,2
low vibration and shocks	0,25... $\leq 1,0$	1,2...1,5
medium vibration and shocks	1,0... $\leq 2,0$	1,5...2,0
strong vibration and shocks	$> 2,0$	2,0...3,5
Short stroke application		3,5...5,0

Depending on the requirements, the nominal service lifetime L can also be specified in kilometers L_s , hours L_h or number of cycles $L_{\#}$. For this purpose, the Formulas 2.10 to 2.12 are to be used.

$$L_s = \frac{L_{10} \times P}{10^6}$$

[Formula 2.10]

- L_s Nominal service lifetime [km]
- L_{10} Nominal service lifetime [min^{-1}]
- P Pitch [mm]

$$L_h = \frac{L_{10}}{n_m \times 60 \times ED}$$

[Formula 2.11]

- L_h Nominal service lifetime [h]
- L_{10} Nominal service lifetime [min^{-1}]
- n_m Mean operating speed [min^{-1}]
- ED Duty cycle [%]

$$L_{\#} = \frac{L_{10} \times P}{2 \times s}$$

[Formula 2.12]

- $L_{\#}$ Nominal service lifetime [cycles]
- L_{10} Nominal service lifetime [min^{-1}]
- P Pitch [mm]
- s Travel distance [mm]

1.5.8 Bearing arrangement of Ball Screws

For the determination of the critical speed (Chapter 1.5.9) and the permissible buckling load (Chapter 1.5.11), factors resulting from the type of bearing of the ball screw drive must be used.

For both criteria, the respective free spindle length according to Figure 2.20 to 2.23 is important.

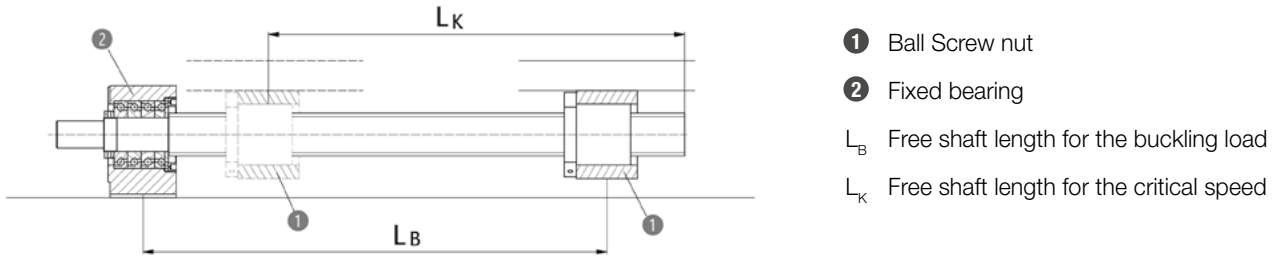


Figure 2.20 __ Bearing arrangement fixed - free

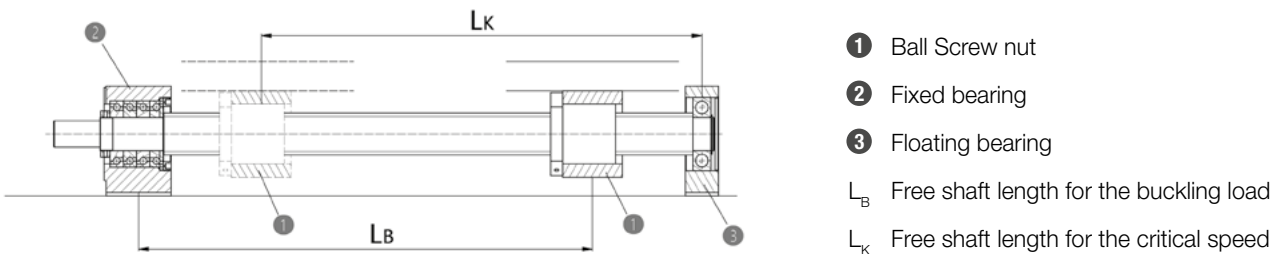


Figure 2.21 __ Bearing arrangement fixed - supported

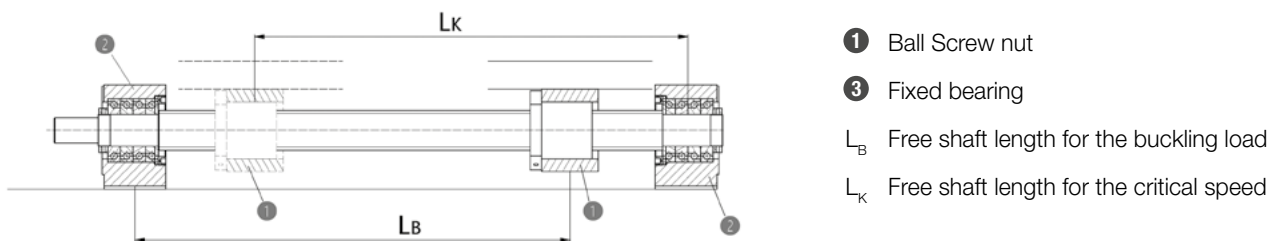


Figure 2.22 __ Bearing arrangement fixed - fixed

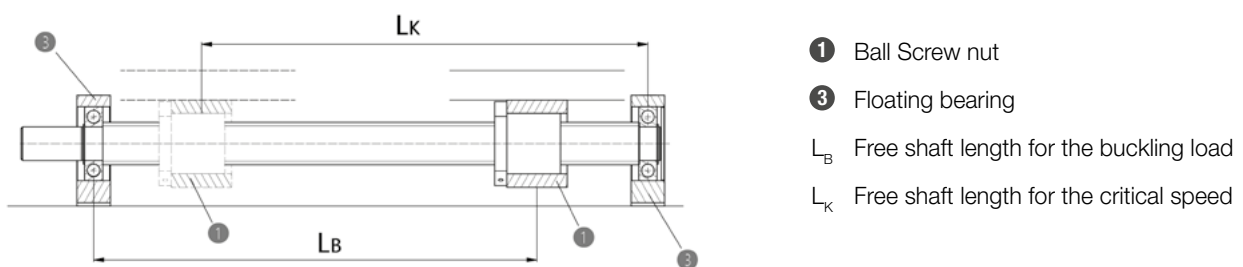


Figure 2.23 __ Bearing arrangement supported - supported

1.5.9 Critical speed

Rotating Ball Screws reach their natural frequency with increasing speed, which causes resonance vibrations that impair the function of the ball screw or destroy it. This speed is called the critical speed. The recommended maximum speed is 80% of the critical speed. This critical speed can be calculated according to Formulas 2.13 and 2.14 and the maximum permissible operating speed according to Formula 2.15. The influencing factors of the bearing arrangement are summarized in Table 2.19.

$$n_k = \frac{60 \times \lambda^2}{2 \times \pi \times l_k^2} \times \sqrt{\frac{E \times I \times 10^3}{\rho \times A}}$$

[Formulal 2.13]

$$n_k \sim f \times \frac{d_2}{l_k^2} \times 10^7$$

[Formula 2.14]

$$n_{kzul} = 0,8 \times n_k$$

[Formula2.15]

$$I = \frac{\pi}{64} \times d_2^4$$

[Formula 2.16]

$$A = \frac{\pi}{4} \times d_2^2$$

[Formula 2.17]

- n_k Critical speed [min⁻¹]
- n_{kzul} Maximum permissible operating speed [min⁻¹]
- λ, f Factor for the bearing arrangement
- l_k Free shaft length [mm]
- E Modulus of elasticity [2,06 x 10⁵ Nmm⁻²]
- I Geometrical moment of inertia (Formula 2.16) [mm⁴]
- ρ Specific material density [7,6 x 10⁻⁶ kgmm⁻³]
- A Shaft cross section (Formula 2.17) [mm²]
- d_2 Core diameter [mm]

Table 2.19 __ Influence factors of the bearing arrangement for the critical speed

fixed - free	λ	f
fixed - free	1,875	4,250
fixed - supported	3,927	18,875
fixed - fixed	4,730	27,375
supported - supported	3,140	12,125

1.5.10 DN value

In addition to the critical speed, the maximum permissible speed of a Ball Screw limited by the DN value. The permissible DN value is mainly determined by the ball circulation system of the nuts. The DN value is calculated according to Formula 2.18..

$$DN = d_{pw} \times n$$

[Formula 2.18]

- DN Speed factor [mm min⁻¹]
- d_{pw} Ball center to center diameter [mm]
- n Operating speed [min⁻¹]

1.5.11 Buckling load

Ball Screws with high axial loads, especially in vertical applications with fixed bearings at the bottom, must be dimensioned so that buckling is excluded. The recommended maximum permissible axial load is 50% of the theoretically possible axial load. The theoretically possible axial load is calculated according to Formulas 2.19 and 2.20 and the maximum permissible axial load according to Formula 2.21. The influencing factors of the bearing arrangement are summarized in Table 2.19.

$$F_k = \frac{N \times \pi^2 \times E \times I}{10^3 \times l_k^2}$$

[Formula 2.19]

F_k Theoretically possible axial load [kN]

F_{kzul} Maximal zulässige axiale Belastung [kN]

N, m Factors for the bearing arrangement

l_k Free shaft length [mm]

E Modulus of elasticity [$2,06 \times 10^5$ Nmm⁻²]

I Geometrical moment of inertia (Formel 2.15) [mm⁴]

d_2 Core diameter [mm]

$$F_k \sim \frac{m \times d_2^4}{l_k^2} \times 10$$

[Formula 2.20]

$$F_{kzul} = 0,5 \times F_k$$

[Formula 2.21]

Table 2.20 ___ Influence factors of the bearing arrangement for the buckling load

	N	m
fixed - free	0,25	2,4
fixed - supported	2,00	20,4
fixed - fixed	4,00	40,6
supported - supported	1,00	10,2

1.5.12 Tension-compression load

In addition to the buckling load, Ball Screws must also be checked for tension - compression loads. The permissible tension - compression load is calculated according to Formula 2.22.

$$F_z = \frac{\delta \times \pi \times d_2^2}{4} = 116 \times d_2^2$$

[Formula 2.22]

F_z Permissible tension - compression load [N]

δ_s Permissible tension-compression stress [147 Nmm⁻²]

d_2 Core diameter [mm]

1.5.13 Position accuracy

The positioning accuracy of an application is determined by the sum of the errors resulting from the Ball Screw and the surrounding structure.

The following errors result from the Ball Screw:

- Pitch error
- Axial rigidity
- Axial clearance
- Thermal expansion

Pitch error

The pitch error is a value specified in accordance with DIN ISO3408-3. According to the information in Chapter 1.5.1, the suitable Ball Screw drive for the application must be determined.

Axial rigidity of the shaft

Under the action of a load, the axial rigidity directly influences the positioning accuracy. The axial rigidity of a Ball Screw depends on the position of the nut within the travel distance. The resulting error is derived from the difference between the rigidity values in the two end positions according to Formula 2.23. The rigidity values for the two end positions are calculated depending on the bearing arrangement as described in

$$e_s = \left| \frac{F_a}{K_{S1}} - \frac{F_a}{K_{S2}} \right|$$

[Formula 2.23]

e_s	Positioning error from the axial rigidity of the shaft [μm]
F_a	Axial load [N]
K_{S1}	Axial of the shaft in end position 1 [$\text{N}/\mu\text{m}$]
K_{S2}	Axial of the shaft in end position 1 [$\text{N}/\mu\text{m}$]

Axial clearance of the Ball Screw

Axial clearance does not affect the positioning accuracy with uniform movement in one direction. If the load direction is changed or the direction of movement is reversed, the backlash causes a positioning error. For this reason, the Ball Screw must be selected to match the application with axial clearance, without axial clearance or with preload. Information on this is contained in catalogue Chapter 5.1.4.

Thermal expansion

Changes in temperature during the operation of Ball Screws lead to expansion or shortening of the shaft, which changes the positioning accuracy. The Ball Screw drive heats up, especially at high speeds. If there are very high demands on the positioning accuracy, measures must be taken to reduce the generation of heat. The following measures are possible here:

- Select the preload as low as possible
- Reduction of the speed by selecting a larger pitch
- Suitable lubricants
- Cooling of the Ball Screw by air or lubricant

The thermal change in length of a shaft can be determined according to Formula 2.24.

$$\Delta L = \alpha \times \Delta T \times L$$

[Formulat 2.24]

ΔL	Change in length of a shaft [μm]
α	Thermal expansion coefficient [$12 \times 10^{-3}/^\circ\text{C}$]
ΔT	Temperature change [$^\circ\text{C}$]
L	Effective thread length [mm]

Surrounding structure

In order to determine the positioning accuracy of a force application point of an application, the horizontal and vertical tilting of the surrounding structure must be considered in addition to the axial error resulting from the Ball Screw. The resulting angular errors are to be projected onto the force application point.

1.5.14 Drive power

The necessary drive torque of a spindle drive for converting rotary to linear movement can be calculated according to Formula [2.25]. An acting axial force can also generate a linear movement that is converted into a rotary movement by the spindle drive. The generated output torque is calculated according to Formula [2.26]. The corresponding efficiency can be taken from the diagrams in Figure 7 and Figure 8 in catalogue Chapter 1.3.1. The pitch angle is calculated according to Formula [2.27].

$$T_a = \frac{F_a \times P}{2\pi \times \eta_1}$$

[Formula 2.25]

$$T_e = \frac{F_a \times P \times \eta_2}{2\pi}$$

[Formula 2.26]

$$\tan \beta = \frac{P}{\pi \times d_{pw}}$$

[Formula 2.27]

T_a	Input torque [Nm]
T_e	Output torque [Nm]
F_a	Axial load [kN]
P	Pitch [mm]
η	Efficiency
η_1	Efficiency when converting rotary to linear movement
η_2	Efficiency when converting linear to rotary motion
β_a	Pitch angle [°]
d_{pw}	Ball center to center diameter [mm]

The input and output torque calculated here refer only to the ball screw. For the exact calculation of the input or output torque, additional influencing factors must be included. These influencing factors are the friction coefficient of the bearing units, the mass moments of inertia, the idling torque resulting from the seals and the preload.

2. Assembling

2.1 Transport and storage

Ball screws are high-quality machine elements and must be handled with appropriate care. To avoid damage and pollution, they should remain in the protective film until installation. For longer storage, we recommend leaving the products in the NTN-SNR transport packaging to prevent the Ball Screw from bending or radial loads on the nut. Suitable and tested lifting devices must be used to handle longer and heavier Ball Screws. There should be several support points (Figure 3.1) over the length of the Ball Screw in order to limit the bending.

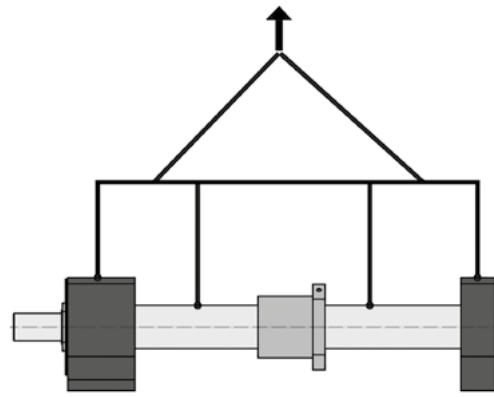


Figure 3.1 ___ Transport of Ball Screws

During transport, the Ball Screw nuts must be secured with e.g. cable ties (Figure 3.2) to prevent them from moving on their own.

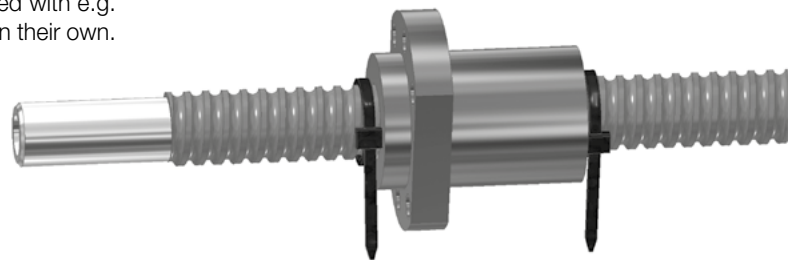


Figure 3.2 ___ Securing of Ball Screw nuts

2.2 Assembly tolerances

Construction notes

Ball Screws are high-quality machine elements that have a significant influence on the accuracy and service lifetime of the entire system.

Surrounding structure and assembly tolerances

Ball Screws are only suitable for the transmission of axial loads. Radial loads and moments (e.g. due to tilted installation) represent undefined loads and lead to premature failure (Figure 3.3).

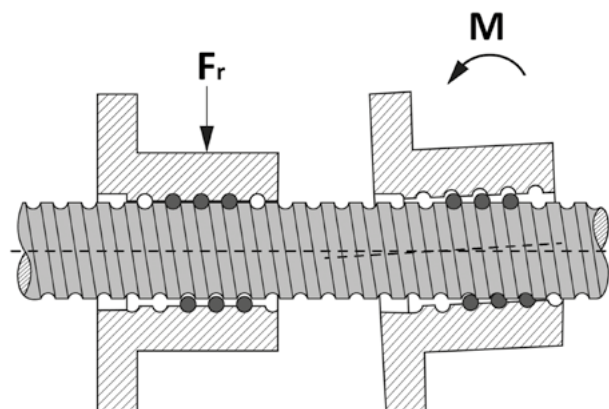


Figure 3.3 ___ Impermissible loads on Ball Screws

In principle, the following applies: the higher the accuracy and preload of the Ball Screw, the more precisely the surrounding structure must be manufactured. This is especially important for applications in which the nut is moved to end position, as the risk of tension and thus additional loads is very high in this area.

Assembly tolerances

When using ball screws, the following assembly tolerances are given as shown in Figure 3.4:

- Perpendicularity of the surrounding structure to the shaft center line
- Height offset ΔH of the bearings to each other
- Side offset ΔA of the bearings to each other

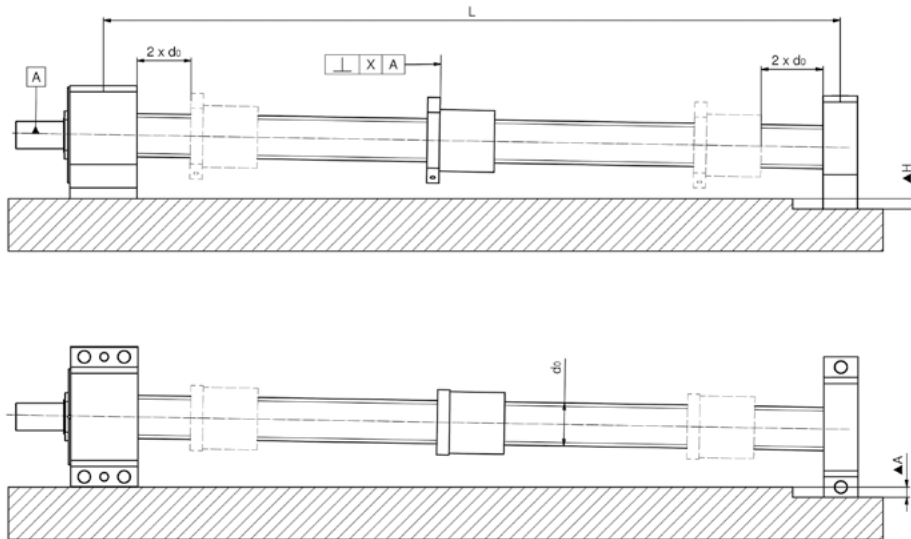


Figure 3.4 ___ Definition of the assembly tolerances of Ball Screws

The diagram in Figure 3.5 shows the recommended installation tolerances for Ball Screws depending on the length and the preload class. When designing the surrounding structure, these tolerances must be observed. The values apply to a minimum distance between the nut and the bearings of $\geq 2x$ nominal diameter d_0 of the shaft.

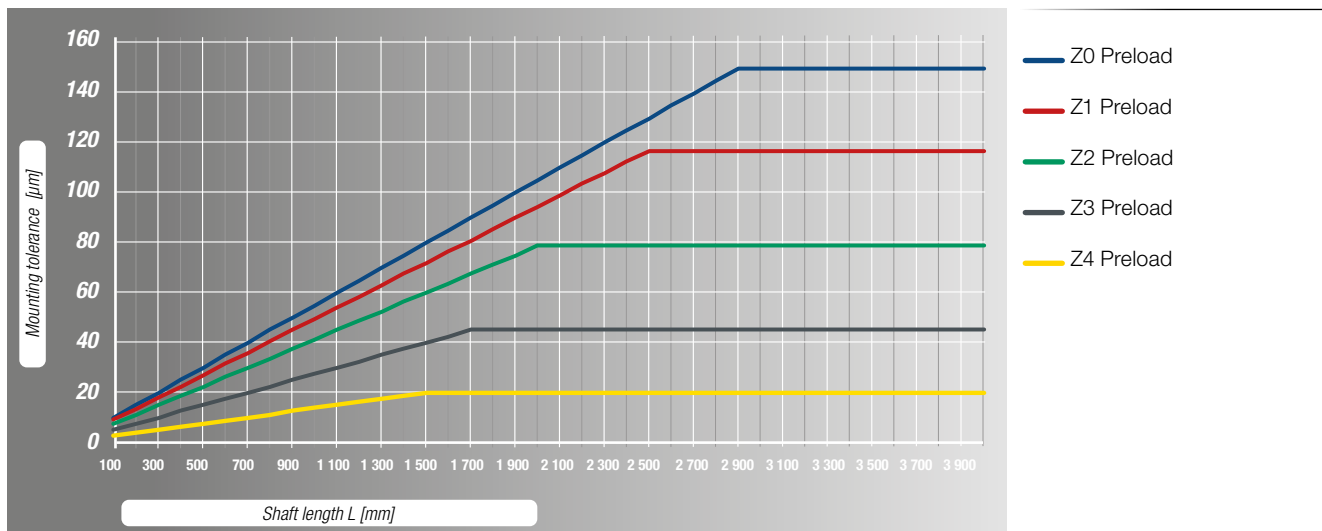


Figure 3.5 ___ Assembly tolerances of Ball Screws

2.3 Assembly instructions

2.3.1 Assembly of Ball Screw nuts

SNR Ball Screws should, if possible, be delivered with the nut assembled on the shaft and including end machining in order to avoid assembly on site.

Shafts and nuts delivered separately do not have a defined preload or a defined axial clearance. This must be adapted during assembly by ball selection, which is usually not possible on the customer side.

Separate nuts for Ball Screws are supplied on assembly sleeves and secured with cable ties (Figure 3.6).

Ball Screw nuts may only be installed by people who are familiar with them. Suitable tools and devices are to be used for the work (Figure 3.7).

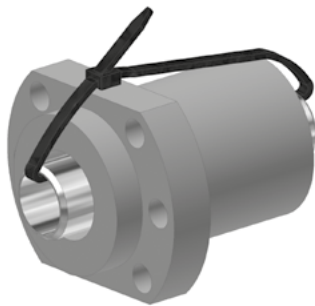


Figure 3.6 ___ Separate nut from Ball Screws

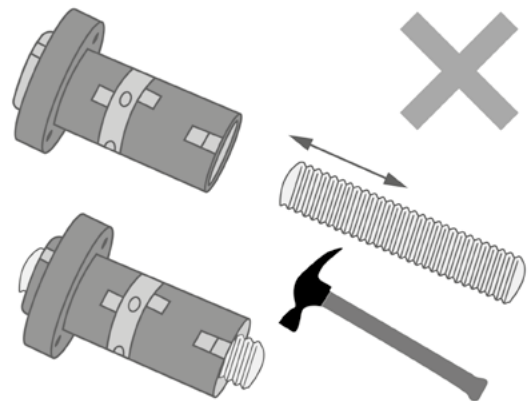


Figure 3.7 ___ Errors in the assembly of Ball Screw nuts

When assembling Ball Screw nuts, proceed according to the following steps (Figure 3.8):

Remove the cable tie that holds the assembly sleeve **3** in the nut **1**.



After removing the cable tie, make sure that the nut does not protrude beyond the end of the assembly sleeve - risk of ball loss!

In the case of double nuts, make sure that the nut halves are not separated from each other!

- Slide the assembly sleeve **3** with the nut **1** over an end machining until the beginning of the thread. The assembly sleeve **3** must be full axial contact and aligned concentrically.
- Turn nut **1** with slight axial pressure on shaft **2**. If you feel resistance, turn the nut back and repeat the process.
- The assembly sleeve **3** may only be removed when the nut **2** is completely on the shaft thread **2**.

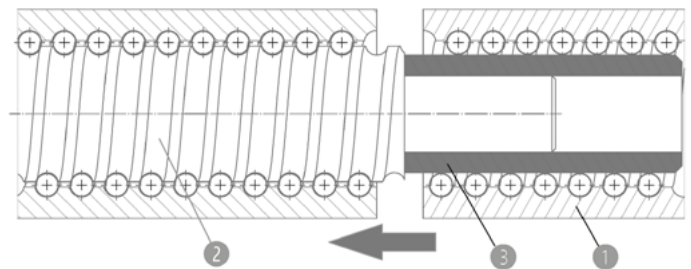


Figure 3. ___ Assembly of Ball Screw nuts

If subsequent machining on the shaft by the customer is unavoidable, the nut must first be removed from the shaft. The original mounting sleeve must be used for this. The work steps must be carried out in reverse order as described above. If there is no mounting sleeve, an alternative can be made. The outer diameter of the sleeve should be approx. 0.1 mm smaller than the core diameter of the shaft. The shaft should be straightened after machining or checked for shape and position tolerances (Chapter 1.5.2).

2.3.2 Assembly of fixed bearings

When assembling the bearings of a Ball Screw on the bearing journal of the shaft, the assembly load may only be applied via the inner ring. If there is a clearance fit or a light transition fit, the bearing can be slid on manually. If the actual oversize is too great, we recommend the use of suitable assembly tools such as the SNR assembly case or manual or hydraulic presses. A slight warming of the bearing can be helpful here.

The Ball Screw spindle must be firmly clamped for assembly. Shorter Ball Screws can be assembled vertically; longer ones can only be assembled horizontally.

The removal of anti-corrosion fluids on the surfaces of bearings and shafts is generally not necessary.

2.3.2.1 Assembly of bearings type BST

The NTN bearings for ball screws of the BST series are axial angular contact ball bearings. In order to be able to easily recognize the installation position, these bearings are equipped with two different coloured seals. If the black seals are on the outside, the bearings have a DB arrangement. The precision nut required for assembly is not included in the delivery. We recommend the use of precision nuts type PRS (catalogue Chapter 6.1.1.5).

When assembling, proceed according to the following steps (Figure 3.7):

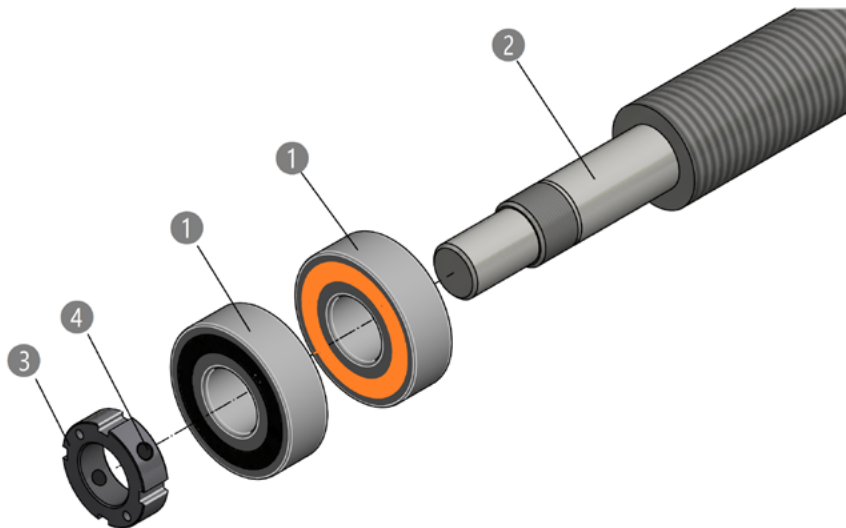


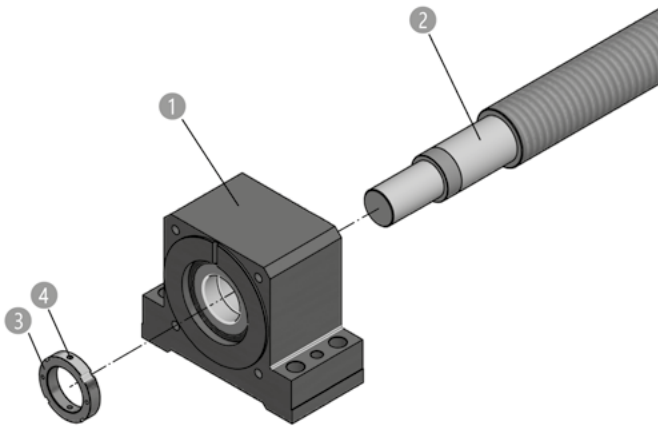
Figure 3.9 ___ Assembly of axial angular contact ball bearings type BST

- Push the BST bearings ① manually with slight axial pressure or with an assembly tool onto the shaft end ②. The correct arrangement of the bearings must be ensured.
- Screw the precision nut PRS ③ onto the fastening thread with the ground surface first and tighten it over the radial grooves with the torque M_a specified in catalogue Chapter 6.1.1.5, Table 6.13.
- To secure the precision nut ③, tighten the radial set screws ④ with the torque M_{bl} specified in catalogue Chapter 6.1.1.5, Table 6.13.

2.3.2.2 Assembly of fixed bearing units' type BSTK

These BSTK bearing units are supplied greased and assembled. Only the precision nut PRS for axial securing on the shaft is included loose. The bearing units should not be disassembled any further.

When assembling the BSTK bearing units, proceed according to the following steps (Figure 3.10):



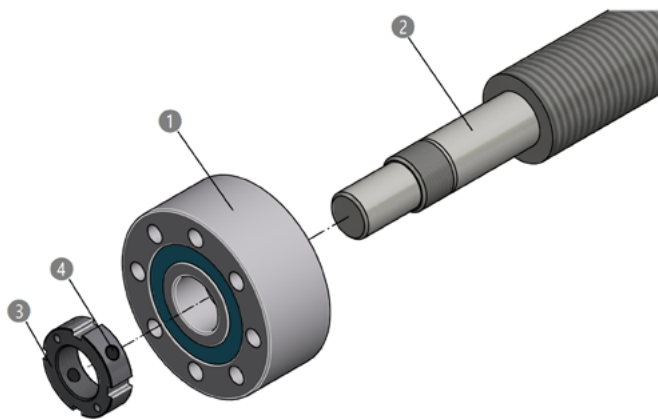
- Push the bearing unit **1** with the threaded ring facing the Ball Screw **2** onto the bearing seat until the inner ring of the bearing is completely in contact with the shaft shoulder, if necessary, press it on with a suitable assembly tool.
- Screw the precision nut PRS **3** onto the fastening thread with the ground surface first and tighten it over the radial grooves with the torque M_a specified in catalogue Chapter 6.1.1.5, Table 6.13.
- To secure the precision nut **3**, tighten the radial set screws **4** with the torque M_{bi} specified in catalogue Chapter 6.1.1.5, Table 6.13.

Figure 3.10 __ Assembly of fixed bearing units' type BSTK

2.3.2.3 Assembly of fixed bearing units type BSTU

The NTN bearings of the BSTU series are double-row axial angular contact ball bearings, which have been specially developed for Ball Screws. The outer rings of two axial angular contact ball bearings are combined to a unit and which contains the assembling holes. The precision nut required for assembly is not included in the delivery. We recommend the use of precision nuts type PRS (catalogue Chapter 6.1.1.5).

When assembling the BSTU bearing units, proceed according to the following steps (Figure 3.11):



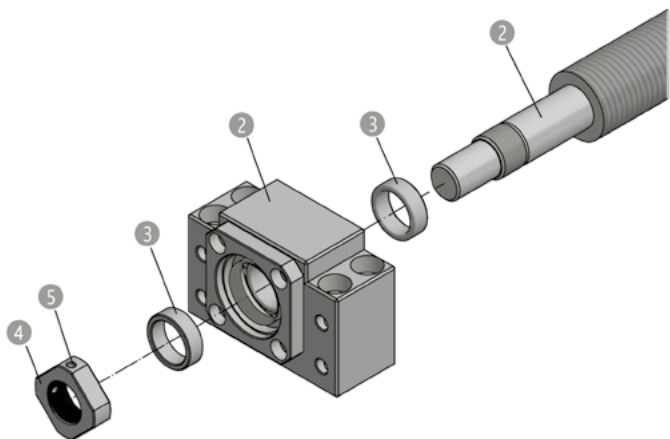
- Push the BSTU bearings **1** onto the bearing seat of the Ball Screw **2** until the inner ring of the bearing is completely in contact with the shaft shoulder, if necessary, press on with a suitable assembly tool.
- Screw the precision nut PRS **3** onto the fastening thread with the ground surface first and tighten it over the radial grooves with the torque M_a specified in catalogue Chapter 6.1.1.5, Table 6.13.
- To secure the precision nut **3**, tighten the radial set screws **4** with the torque M_{bi} specified in catalogue Chapter 6.1.1.5, Table 6.13.

Figure 3.11 __ Assembly of fixed bearing units' type BSTU

2.3.2.4 Assembly of fixed bearing units type BK, EK and FK

The BK, EK and FK bearing units are supplied greased and assembled. Only the precision nut PRN for axial securing on the shaft and two spacer rings are included loose. The bearing units should not be disassembled any further.

When assembling the bearing units BK, EK and FK, proceed according to the following steps (Figure 3.12):



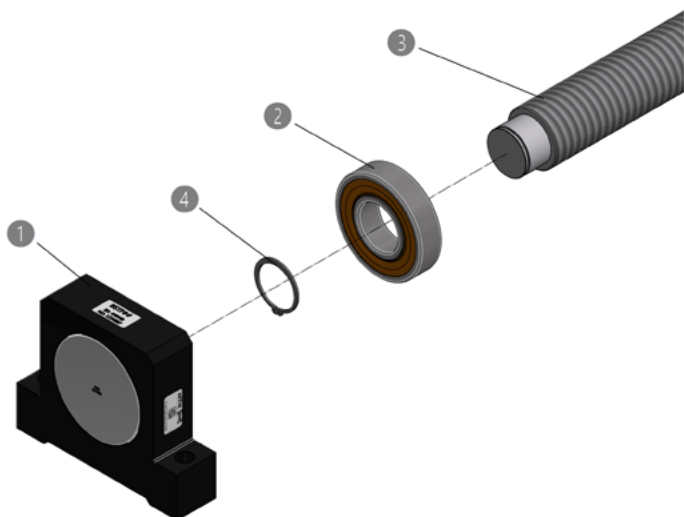
- Lightly oil spacer rings ③ and carefully insert them sideways into the bore of the seals of the bearing units ① without damaging the sealing lips.
- Push the bearing unit BK and EK ① with the cover facing outwards onto the bearing seat of the Ball Screw ② until the inner spacer ring is completely in contact with the shaft shoulder, if necessary, press it on with a suitable assembly tool. The FK bearing units are to be pushed onto the bearing seat of the Ball Screw ② in the required installation position. The force may only be applied via the outer spacer ring ③.
- Screw the precision nut PRN ④ onto the fastening thread with the ground surface first and tighten with the torque M_a specified in catalogue Chapter 6.1.2.5, Table 6.20.
- To secure the precision nut ④, tighten the radial set screws ⑤ with the torque M_{ri} specified in catalogue Chapter 6.1.2.5, Table 6.20.

Figure 3.12 __ Assembly of bearing units BK, EK and FK

2.3.3 Assembly of floating bearings and floating bearing units

The floating bearing units BSTF, BF, EF and FF are supplied greased and assembled. Only the locking ring is included loosely.

When assembling the bearing units BSTF, BF, EF and FF, proceed according to the following steps (Figure 3.13):



- Remove deep groove ball bearing ② from housing ①.
- Push the deep groove ball bearing ② onto the bearing seat of the Ball Screw ③ until it is completely in contact with the shaft shoulder, if necessary, press it on with a suitable assembly tool.
- The force may only be applied via the inner ring of the bearing.
- Assemble the circlip ④ in the corresponding groove in the bearing seat.
- Push the housing ① over the outer ring of the deep groove ball bearing ②. This must be easy to move axially without excessive radial clearance.

Figure 3.13 __ Assembly of floating bearing units type BSTF, BF, EF and FF

2.3.4 Assembly of Ball Screws in machines

The following basic rules must be observed when assembling Ball Screws in machines:

- For long shafts, the instructions from Chapter 2.1 must be observed.
- All assembling surfaces of the surrounding structure must be clean and free of burrs.
- During assembly, the ball screw drive must be aligned parallel to the existing guides. The assembling tolerances in Chapter 2.2 must be observed.

We recommend the following assembly sequence:

- ▶ Align the fixed and floating bearings as well as the nut and fix it slightly.
- ▶ Move the slider as far as possible to the fixed bearing and first screw the fixed bearing to the machine bed, then screw the nut to the slider.
- ▶ Move the slider as far as possible to the floating bearing and first screw this to the machine bed.
- ▶ A different assembly sequence may be necessary depending on the structural design.
- ▶ If it is necessary to disassemble the nut from the shaft, a assembling sleeve must be used to avoid losing of balls. This disassembling may only be carried out by qualified staff, taking into account the information in Chapter 2.3.2.
- ▶ The tightening torques permitted for the respective material pairing are not exceeded for all screw connections.
- ▶ If the torque is constant over the entire stroke after assembly and is within the permissible limit values according to Chapter 1.5.3, the Ball Screw is precisely aligned. If there are deviations, an optimization can be achieved by realigning it in the end positions.
- ▶ Nuts supplied separately do not have an initial greasing and must be greased according to the information in Chapter 3.5 before being used for the first time.
- ▶ For assembled Ball Screws, we recommend lubrication with the amount specified for relubrication in Chapter 3.5 before start-up.

3. Maintenance and lubrication

3.1 General information



Attention!

All maintenance and service work on the Ball Screws must be carried out when it is switched off and secured.

3.2 Lubrication

An adequate lubrication is essential for the reliable function of ball screws.

The lubrication should ensure a lubricating film (oil film) between the rolling elements and the raceways of the guiding and drive elements to prevent wear and premature fatigue of the components.

In addition, the metallic surfaces are protected from corrosion. Furthermore, the lubricating film enables the seals to slide smoothly over the surfaces and reduces their wear.

Insufficient lubrication not only increases wear, it also significantly shortens the service life.

An optimal selection of the lubricant has a decisive influence on the function and service life of the Ball Screw. So that the function is not impaired and is maintained over a long period of time, lubrication must be defined according to the environmental conditions and the specific requirements.

Such environmental conditions and influencing factors can e.g. be:

- High or low temperature
- Effects of condensation and water splash
- Radiation exposure
- Strong vibrations
- Use in vacuum and / or clean rooms
- Application of special media (e.g. vapors, acids, etc.)
- High acceleration and velocity
- Permanent short stroke movement ($< 2 \times$ nut length)
- Effect of dirt or dust

The recommendations in the following chapters enable the selection of the suitable lubricant, the required amount of lubricant and the definition of the lubrication interval.

These recommendations do not release the user from checking the specified lubrication intervals under the specific operating conditions in the application and adjusting them if necessary.

3.3 Lubricants

Different lubricants are suitable for lubrication of Ball Screws. The lubricants must fulfill the following tasks:

- Reduction of friction
- Reduction of the starting torque
- Protection against premature wear
- Protection against corrosion
- Noise reduction

For use under normal conditions, lithium soap greases with the classification KP2-K according to DIN 51825 and NLGI class 2 according to DIN 51818 with EP additives must be used. SNR LUB HEAVY DUTY is used as the standard grease.



Attention!

Lubricants with solid additives (e.g. graphite or MoS_2) are not suitable.

Specific requirements under special environmental conditions require the selection of a suitable lubricants. Basically, the compatibility of the lubricants with one another or with the anti-corrosion oil must be checked.

3.3.1 Anti-corrosion oils

Anti-corrosion oils serve to protect the Ball Screws against corrosion during storage and transport. They are not suitable for lubrication of the Ball Screws during operation.

During start-up and re-lubrication, the compatibility with the existing lubricant must always be checked.

SNR Ball Screws are supplied with the anti-corrosion oil Contrakor Fluid H1. Contrakor Fluid H1 is compatible with the standard lubricant SNR LUB HEAVY DUTY. Preservation may be omitted by agreement for special applications with special lubricants.

3.3.2 Lubrication oils

Oil lubrication is usually applied in central lubrication systems. The advantage of an automated, central oil lubrication is that of operator-independent, continuous lubricant supply to the Ball Screw. Lubrication oils also conduct friction heat very well. This is balanced against a very high design and installation effort for lubrication tubes. Lubrication oil also leaks more often from the Ball Screw and is thus lost to the system.

Tilted or vertical arrangements with the Ball Screw nut lubrication connection on the bottom are critical and should be avoided.

Suitable lubrication oils for use in SNR Ball Screws are summarized in Table 4.1.

Table 4.1 ___ Lubrication oils for Ball Screws

Description	Oil type	Kinematic viscosity according to DIN51562 at 40°C [mm ² /s]	Density [mg/cm ³]	Properties	Application area
Klüberoil GEM 1-100N	Mineral oil	100	880	<ul style="list-style-type: none"> · Good corrosion protection · Good wear protection 	<ul style="list-style-type: none"> · General engineering
Klüberoil 4 UH1-68N	Polyalpha-olefin	680	860	<ul style="list-style-type: none"> · Good wearing protection · Good ageing resistance · NSF H1 registered* 	<ul style="list-style-type: none"> · Food industry · Pharmaceutical industry

* This lubricant has been registered as an H1 product, i.e. it was developed for occasional, technically unavoidable contact with food. Experience has shown that the lubricant can also be used for appropriate applications in the pharmaceutical and cosmetic industry when the conditions in the product information are adhered to. However, no specific test results that might be required for applications in the pharmaceutical industry, e.g. biocompatibility, are available. The systems manufacturer and operator should therefore, perform appropriate risk analyses before applications in this area. Measures to exclude health risks and injuries have to be taken, where required.

(Source: Klüber Lubrication)

3.3.3 Low-viscosity greases

The conditions that apply to the use of lubrication oils also apply to the use of low-viscosity greases. Only the tilted or vertical installation position is not critical here, since low-viscosity greases with their lower viscosity do not flow away so easily.

Suitable low-viscosity greases for use in SNR Ball Screws are summarized in in Table 4.2.

Table 4.2____ Low-viscosity greases for Ball Screws

Description	Base oil / Type of soap	NLGI class DIN51818	Walkpenetration DIN ISO 2137 at 25°C [0,1mm]	Basic oil viscosity DIN 51562 at 40°C [mm ² /s]	Density [mg/cm ³]	Properties	Application area
Isoflex Topas NCA 5051	Synthetic hydrocarbon oil, special calcium soap	0/00	385...415	30	800	· Low friction	· General engineering
Microlobe GB 0"	Mineral oil	0	355...385	400	900	· Particularly pressure resistant · Good wearing protection properties · Very good water resistance	· General engineering · High loads · Short stroke application · Vibrations
Klübersynth UH1 14-1600	Synthetic hydrocarbon oil, special Aluminum complex soap Polyurea	0/00	370...430	ca. 160	850	· Good corrosion protection · Good wear protection · NSF H1 registered*	· Food industry · Pharmaceutical industry

** This lubricant has been registered as an H1 product, i.e. it was developed for occasional, technically unavoidable contact with food. Experience has shown that the lubricant can also be used for appropriate applications in the pharmaceutical and cosmetic industry when the conditions in the product information are adhered to. However, no specific test results that might be required for applications in the pharmaceutical industry, e.g. biocompatibility, are available. The systems manufacturer and operator should therefore, perform appropriate risk analyses before applications in this area. Measures to exclude health risks and injuries have to be taken, where required.*

(Source: Klüber Lubrication)

3.3.4 Lubrication greases

Ball screws with grease lubrication are used in most applications. The use of greases provides better noise reduction, better emergency running properties and requires less constructive effort than lubrication oils and low-viscosity greases. For use under normal conditions, lithium soap greases with the classification KP2-K according to DIN 51825 and NLGI class 2 according to DIN 51818 with EP additives must be used. SNR LUB HEAVY DUTY is used as the standard grease.

Specific requirements under special environmental conditions require the selection of a suitable lubricants. Basically, the compatibility of the lubricants with one another or with the anti-corrosion oil must be checked.

Suitable lubrication greases for use in SNR Ball Screws are summarized in in Table 4.3.

Table 4.3 ___ Lubrication greases for Ball Screws

Description	Base oil / Type of soap	NLGI class DIN51818	Walkpenetration DIN ISO 2137 at 25°C [0,1mm]	Basic oil viscosity DIN 51562 at 40°C [mm²/s]	Density [mg/cm³]	Properties	Application area
SNR LUB HEAVY DUTY	Mineral oil / Lithium with EP additives	2	295	app. 115	890	· very high protection against wear and corrosion	· General engineering · High loads
SNR LUB HIGH SPEED+	Ester, SHC / Lithium, Calcium	2	-	25	900	· Very good adhesion properties · Very good water resistance	· High velocity
SNR LUB HIGH TEMP	semi-synthetic oil / Polyurea	2	265...295	160	900	· High temperature resistance · Good corrosion protection · High oxidation resistance	· High temperature range
SNR LUB FOOD AL	Paraffinic mineral oil, PAO / Aluminum complex	2	265...295	195	920	· Good corrosion protection · Very good adhesion properties · High water resistance · NSF H1 registered*	· Food industry
Microlube GL261	Mineral oil / special Lithium-calcium soap	1	310...340	280	890	· Good wearing protection · Particularly pressure resistant additives against tribocorrosion	· General engineering · High loads · Short stroke application · Vibrations
Klübersynth BEM34-32	Synthetic hydrocarbon oil / special calcium soap	2	265...295	app. 30	890	· Particularly pressure resistant · Good wearing protection · Good ageing resistance · Low starting torque"	· Clean room application
Klübersynth UH1 14-151	Synthetic hydrocarbon oil / ester oil Aluminum complex soap	1	310...340	app. 150	920	· Good corrosion protection · Good ageing resistance · High water resistance · NSF H1 registered*	· Food industry · Pharmaceutical industry

* Dieser Schmierstoff ist als H1-Produkt registriert, d.h. er wurde für den gelegentlichen, technisch unvermeidbaren Kontakt mit Lebensmitteln entwickelt. Erfahrungen haben gezeigt, dass der Schmierstoff unter den in der Produktinformation aufgeführten Voraussetzungen auch für entsprechende Anwendungen in der pharmazeutischen und kosmetischen Industrie verwendet werden kann. Es liegen jedoch keine spezifischen Testergebnisse z.B. zur Biokompatibilität vor, wie sie unter Umständen für Anwendungen im pharmazeutischen Bereich gefordert werden. Daher sollten vor Anwendung in diesem Bereich vom Anlagenhersteller und -betreiber entsprechende Risikoanalysen durchgeführt werden. Bei Bedarf sind Maßnahmen zum Ausschluss von gesundheitlicher Gefährdung und Verletzungen zu treffen.

(Quelle: Klüber Lubrication)

3.4 Lubrication methods

SNR Ball Screws can be supplied with lubricant by manual grease guns or central lubrication systems.

In the case of cylindrical nuts, this lubrication hole (Figure 4.1) must be led to a grease nipple via a lubrication channel in the nut housing. Flange type nuts have a threaded hole in the flange (Figure 4.2) to which a grease nipple can be mounted directly.

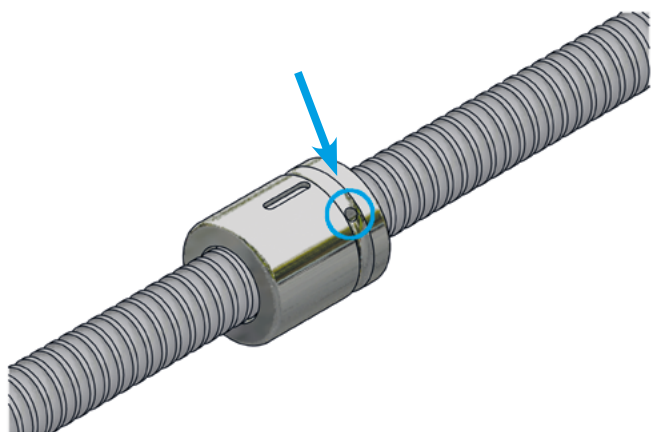


Figure 4.1 ___ Cylindrical nut with lubrication hole

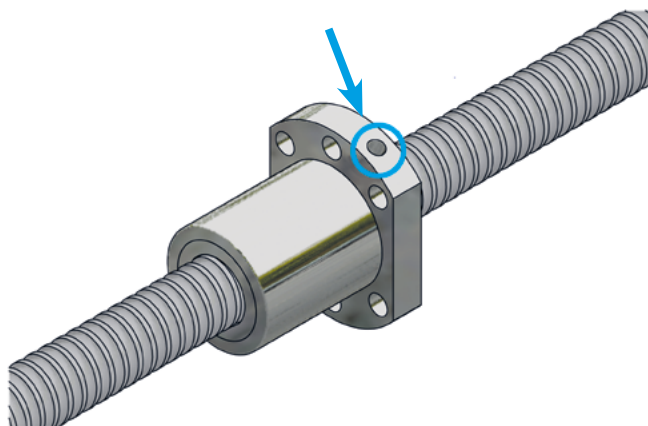


Figure 4.2 ___ Flange type nut with threaded hole

3.4.1 Manual grease gun – SNR - LUB GREASE GUN SET

Ball Screws can be re-lubricated with the SNR manual grease gun (LUB GREASE GUN SET ID number 273018). The LUB GREASE GUN SET includes the manual grease gun, a flexible hose and a nozzle for hydraulic type grease nipples.

The manual grease gun can be operated with one hand. Cartridges or unpackaged greases can be picked up. The grease gun was developed for industrial use with a maximum pressure of 360 bar. A small, controlled amount of grease of 0.5 cm³ is conveyed per stroke.

When using manual grease guns (Figure 4.3), the nut of the Ball Screw drive is re-lubricated via a lubrication hole.



Figure 4.3 ___ SNR - LUB GREASE GUN SET

3.4.2 Central lubrication system

SNR Ball Screws can be connected to a central lubrication system.

Suitable centralized lubrication systems are SNR-LUBER-CONTROL (Figure 4.4) and SNR-POLYPUMP (Figure 4.5).

SNR – LUBER-CONTROL has six connections for lubrication tubes that can be parameterized individually. Optionally, CONTROL REFILL units with 250 cm³ and 500 cm³ lubricant volume can be used. The CONTROL REFILL unit can be exchanged after emptying or refilled factory provided.

SNR-POLYPUMP is a powerful central lubrication system that is easy to set up. It enables to lubricate 1 to 35 lubrication points at the same time in the simplest possible way. Various lubrication points can be supplied with different amounts of a lubricant with one system via pump elements. The storage container can easily be filled with standard refill cartridges. The connection to the existing machine control is quick and easy.



Figure 4.4 ___ SNR-LUBER-CONTROL



Figure 4.5___ SNR-POLYPUMP

3.5 Lubricant amounts

The respective minimum lubrication amount for Ball Screws depend on the type of lubricant, nut type and size.

During maintenance of Ball Screws, a distinction between:

- Lubrication during start-up
- Re-lubrication during operation

Nuts supplied separately for SNR Ball Screws are preserved with anti-corrosion oil on delivery and do not have an initial lubrication. Fully assembled Ball Screws are supplied with initial greasing, unless nothing else has been specified.

Tables 4.4 to 4.11 contain the minimum lubricant amount of the various lubricants for start-up and with which SNR Ball Screws are to be re-lubricated during operation. The corresponding amount of lubricant is to be supplied in 3 ... 4 small partial amounts with the nut moving in the meantime over at least twice the nut length.

Differing amounts of lubricant can be determined depending on the operating conditions.

Miniature Ball Screws with a diameter of less than 12 mm are only suitable for oil lubrication.

Our NTN-SNR application engineers are available for further information.

Table 4.4____ Lubrication amount for Ball Screw nuts type CD

Type	Grease lubrication		Liquid grease lubrication		Oil lubrication	
	Initial greasing [cm ³]	Re-greasing [cm ³]	Initial greasing [cm ³]	Re-greasing [cm ³]	Initial greasing [ml]	Re-greasing [ml]
BNU01605_CD_5	1,8	0,9	1,8	0,9	0,36	0,07
BNU01610_CD_2	1,8	0,9	1,8	0,9	0,36	0,07
BNU01616_CD_1	1,8	0,9	1,8	0,9	0,36	0,07
BNU02005_CD_4	2,1	1,1	2,1	1,1	0,42	0,08
BNU02020_CD_2	4,5	2,3	4,5	2,3	0,90	0,18
BNU02505_CD_4	3,2	1,6	3,2	1,6	0,63	0,13
BNU02510_CD_3	3,9	1,9	3,9	1,9	0,77	0,15
BNU02525_CD_2	6,2	3,1	6,2	3,1	1,25	0,25
BNU03205_CD_5	4,3	2,2	4,3	2,2	0,86	0,17
BNU03210_CD_5	6,9	3,5	6,9	3,5	1,39	0,28
BNU03220_CD_2	6,9	3,5	6,9	3,5	1,39	0,28
BNU03232_CD_2	10,1	5,0	10,1	5,0	2,02	0,40

Table 4.5 ____ Lubrication amount for Ball Screw nuts CI

Type	Grease lubrication		Liquid grease lubrication		Oil lubrication	
	Initial greasing [cm ³]	Re-greasing [cm ³]	Initial greasing [cm ³]	Re-greasing [cm ³]	Initial greasing [ml]	Re-greasing [ml]
BNU01205_CI_3	1,0	0,5	1,0	0,5	0,17	0,03
BNU01604_CI_4	1,6	0,8	1,6	0,8	0,32	0,06
BNU01605_CI_4	1,8	0,9	1,8	0,9	0,36	0,07
BNU02004_CI_4	2,0	1,0	2,0	1,0	0,40	0,08
BNU02005_CI_4	2,3	1,1	2,3	1,1	0,45	0,09
BNU02504_CI_4	2,8	1,4	2,8	1,4	0,56	0,11
BNU02505_CI_4	3,2	1,6	3,2	1,6	0,63	0,13
BNU02510_CI_4	6,0	3,0	6,0	3,0	1,19	0,24
BNU03204_CI_4	3,6	1,8	3,6	1,8	0,72	0,14
BNU03205_CI_4	4,1	2,0	4,1	2,0	0,81	0,16
BNU03210_CI_4	7,7	3,8	7,7	3,8	1,53	0,31
BNU04005_CI_4	5,4	2,7	5,4	2,7	1,08	0,22
BNU04010_CI_4	17,0	8,5	17,0	8,5	3,40	0,68
BNU05010_CI_4	23,8	11,9	23,8	11,9	4,76	0,95
BNU06310_CI_4	23,8	11,9	23,8	11,9	4,76	0,95
BNU08010_CI_4	34,0	17,0	34,0	17,0	6,80	1,36

Table 4.6 ____ Lubrication amount for Ball Screw nuts DC

Type	Grease lubrication		Liquid grease lubrication		Oil lubrication	
	Initial greasing [cm ³]	Re-greasing [cm ³]	Initial greasing [cm ³]	Re-greasing [cm ³]	Initial greasing [ml]	Re-greasing [ml]
BNU01605_DC_3	2,9	1,5	2,9	1,5	0,58	0,12
BNU01610_DC_2	3,9	1,9	3,9	1,9	0,78	0,16
BNU02005_DC_3	3,8	1,9	3,8	1,9	0,75	0,15
BNU02010_DC_3	6,0	3,0	6,0	3,0	1,20	0,24
BNU02505_DC_3	5,3	2,6	5,3	2,6	1,05	0,21
BNU02510_DC_3	8,5	4,3	8,5	4,3	1,71	0,34
BNU03205_DC_3	7,4	3,7	7,4	3,7	1,48	0,30
BNU03210_DC_3	11,0	5,5	11,0	5,5	2,20	0,44
BNU03220_DC_2	14,4	7,2	14,4	7,2	2,88	0,58
BNU04005_DC_3	10,2	5,1	10,2	5,1	2,04	0,41
BNU04010_DC_3	24,6	12,3	24,6	12,3	4,92	0,98
BNU04020_DC_2	32,4	16,2	32,4	16,2	6,48	1,30
BNU05005_DC_3	15,3	7,7	15,3	7,7	3,06	0,61
BNU05010_DC_3	33,1	16,6	33,1	16,6	6,62	1,32
BNU05020_DC_3	61,0	30,5	61,0	30,5	12,21	2,44

Table 4.7 ____ Lubrication amount for Ball Screw nuts SC

Type	Grease lubrication		Liquid grease lubrication		Oil lubrication	
	Initial greasing [cm ³]	Re-greasing [cm ³]	Initial greasing [cm ³]	Re-greasing [cm ³]	Initial greasing [ml]	Re-greasing [ml]
BNU01205_SC_2	0,9	0,5	0,9	0,5	0,15	0,03
BNU01210_SC_2	1,4	0,7	1,4	0,7	0,23	0,05
BNU01605_SC_3	1,5	0,7	1,5	0,7	0,30	0,06
BNU01610_SC_2	1,9	0,9	1,9	0,9	0,38	0,08
BNU01616_SC_1	1,8	0,9	1,8	0,9	0,36	0,07
BNU01616_SC_2	2,4	1,2	2,4	1,2	0,49	0,10
BNU01620_SC_1	2,3	1,1	2,3	1,1	0,46	0,09
BNU02005_SC_3	0,9	1,9	0,9	0,4	0,07	0,18
BNU02010_SC_3	1,4	2,9	1,4	0,6	0,11	0,46
BNU02020_SC_1	1,6	3,2	1,6	0,6	0,13	0,52
BNU02020_SC_2	2,3	4,6	2,3	0,9	0,18	0,86
BNU02505_SC_3	2,6	1,3	2,6	1,3	0,52	0,10
BNU02510_SC_3	4,0	2,0	4,0	2,0	0,80	0,16
BNU02525_SC_1	4,6	2,3	4,6	2,3	0,91	0,18
BNU02525_SC_2	6,7	3,3	6,7	3,3	1,33	0,27
BNU03205_SC_3	3,8	1,9	3,8	1,9	0,76	0,15
BNU03210_SC_3	5,4	2,7	5,4	2,7	1,08	0,22
BNU03220_SC_2	7,2	3,6	7,2	3,6	1,44	0,29
BNU03232_SC_1	7,4	3,7	7,4	3,7	1,48	0,30
BNU03232_SC_2	10,4	5,2	10,4	5,2	2,09	0,42
BNU04005_SC_3	5,4	2,7	5,4	2,7	1,08	0,22
BNU04010_SC_3	12,6	6,3	12,6	6,3	2,52	0,50
BNU04020_SC_2	16,4	8,2	16,4	8,2	3,28	0,66
BNU04040_SC_1	21,0	10,5	21,0	10,5	4,20	0,84
BNU04040_SC_2	29,0	14,5	29,0	14,5	5,80	1,16
BNU05005_SC_3	8,1	4,1	8,1	4,1	1,62	0,32
BNU05010_SC_3	16,3	8,2	16,3	8,2	3,26	0,65
BNU05020_SC_3	25,9	13,0	25,9	13,0	5,18	1,04
BNU05050_SC_1	30,0	15,0	30,0	15,0	6,00	1,20
BNU05050_SC_2	30,0	15,0	30,0	15,0	6,00	1,20

Table 4.8 ____ Lubrication amount for Ball Screw nuts SH

Type	Grease lubrication		Liquid grease lubrication		Oil lubrication	
	Initial greasing [cm ³]	Re-greasing [cm ³]	Initial greasing [cm ³]	Re-greasing [cm ³]	Initial greasing [ml]	Re-greasing [ml]
BNU00802.5_SH_2					0,05	0,01
BNU01002_SH_3					0,07	0,01
BNU01004_SH_2					0,10	0,02
BNU01204_SH_3	1,0	0,5	1,0	0,5	0,17	0,03
BNU01205_SH_3	1,2	0,6	1,2	0,6	0,20	0,04
BNU01404_SH_3	1,4	0,7	1,4	0,7	0,28	0,06
BNU01604_SH_3	1,3	0,6	1,3	0,6	0,26	0,05
BNU01605_SH_3	1,7	0,8	1,7	0,8	0,34	0,07
BNU02005_SH_3	2,3	1,1	2,3	1,1	0,45	0,09
BNU02505_SH_4	4,8	2,4	4,8	2,4	0,97	0,19

Table 4.9 ___ Lubrication amount for Ball Screw nuts SK

Type	Grease lubrication		Liquid grease lubrication		Oil lubrication	
	Initial greasing [cm ³]	Re-greasing [cm ³]	Initial greasing [cm ³]	Re-greasing [cm ³]	Initial greasing [ml]	Re-greasing [ml]
BNU00601_SK_3					0,02	0,00
BNU00801_SK_4					0,03	0,01
BNU00802_SK_3					0,03	0,01
BNU00802.5_SK_3					0,05	0,01
BNU01002_SK_3					0,08	0,02
BNU01004_SK_3					0,10	0,02
BNU01202_SK_4	0,8	0,4	0,8	0,4	0,14	0,03
BNU01204_SK_3	0,8	0,4	0,8	0,4	0,14	0,03
BNU01205_SK_3	0,8	0,4	0,8	0,4	0,14	0,03
BNU01402_SK_4	0,8	0,4	0,8	0,4	0,14	0,03

Table 4.10 ___ Lubrication amount for Ball Screw nuts SU

Type	Grease lubrication		Liquid grease lubrication		Oil lubrication	
	Initial greasing [cm ³]	Re-greasing [cm ³]	Initial greasing [cm ³]	Re-greasing [cm ³]	Initial greasing [ml]	Re-greasing [ml]
BNU01605_SU_4	1,8	0,9	1,8	0,9	0,36	0,07
BNU01610_SU_3	2,3	1,1	2,3	1,1	0,46	0,09
BNU02005_SU_4	2,6	1,3	2,6	1,3	0,51	0,10
BNU02505_SU_4	3,6	1,8	3,6	1,8	0,71	0,14
BNU02510_SU_4	5,6	2,8	5,6	2,8	1,12	0,22
BNU03205_SU_4	4,7	2,3	4,7	2,3	0,94	0,19
BNU03210_SU_4	7,7	3,8	7,7	3,8	1,53	0,31
BNU04005_SU_4	6,6	3,3	6,6	3,3	1,32	0,26
BNU04010_SU_4	17,6	8,8	17,6	8,8	3,52	0,70
BNU05010_SU_4	21,1	10,6	21,1	10,6	4,22	0,84
BNU06310_SU_4	26,0	13,0	26,0	13,0	5,21	1,04
BNU06320_SU_4	39,0	25,0	39,0	25,0	7,30	1,60
BNU08010_SU_4	37,2	18,6	37,2	18,6	7,44	1,49
BNU08020_SU_4	55,0	27,0	55,0	27,0	11,00	2,30

Table 4.11 Lubrication amount for Ball Screw nuts TW

Type	Grease lubrication		Liquid grease lubrication		Oil lubrication	
	Initial greasing [cm ³]	Re-greasing [cm ³]	Initial greasing [cm ³]	Re-greasing [cm ³]	Initial greasing [ml]	Re-greasing [ml]
BNU01605_TW_4	3,0	1,5	3,0	1,5	0,60	0,12
BNU02005_TW_4	4,3	2,1	4,3	2,1	0,85	0,17
BNU02505_TW_4	6,0	3,0	6,0	3,0	1,20	0,24
BNU02510_TW_4	9,1	4,6	9,1	4,6	1,82	0,36
BNU03205_TW_4	7,8	3,9	7,8	3,9	1,57	0,31
BNU03210_TW_4	13,1	6,5	13,1	6,5	2,61	0,52
BNU04005_TW_4	10,8	5,4	10,8	5,4	2,16	0,43
BNU04010_TW_4	29,6	14,8	29,6	14,8	5,92	1,18
BNU05010_TW_4	35,5	17,8	35,5	17,8	7,10	1,42
BNU06310_TW_4	42,8	21,4	42,8	21,4	8,57	1,71
BNU08010_TW_4	61,2	30,6	61,2	30,6	12,24	2,45

3.6 Lubrication intervals

The re-lubrication intervals are influenced by many factors (Chapter 3.2). The greatest influence usually has the load and the existing contamination. Exact re-lubrication intervals can only be determined after determination under real operating conditions and assessment over a sufficiently long period for a specific application.

The diagrams in Figures 4.5 and 4.6 serve as a guideline for determining the re-lubrication interval under normal pollution conditions for Ball Screws with low-viscosity grease or grease lubrication.

The re-lubrication intervals are shown as the number of revolutions ($s_{\#}$) of the Ball Screw as a function of the ratio of the mean axial load (F_m) to the dynamic load rating (C_d) for the respective nominal diameter (d_0).

Under real operating conditions, it is easier to determine the re-lubrication interval according to the mileage in kilometers than according to the number of revolutions.

The mileage in kilometers is calculated using the Formula [4.1].

$$s = \frac{s_{\#} \times P}{10^6}$$

[Formula 4.1]

- s** Re-lubrication interval [km]
- s_#** Re-lubrication interval [revolution]
- P** Pitch [mm]

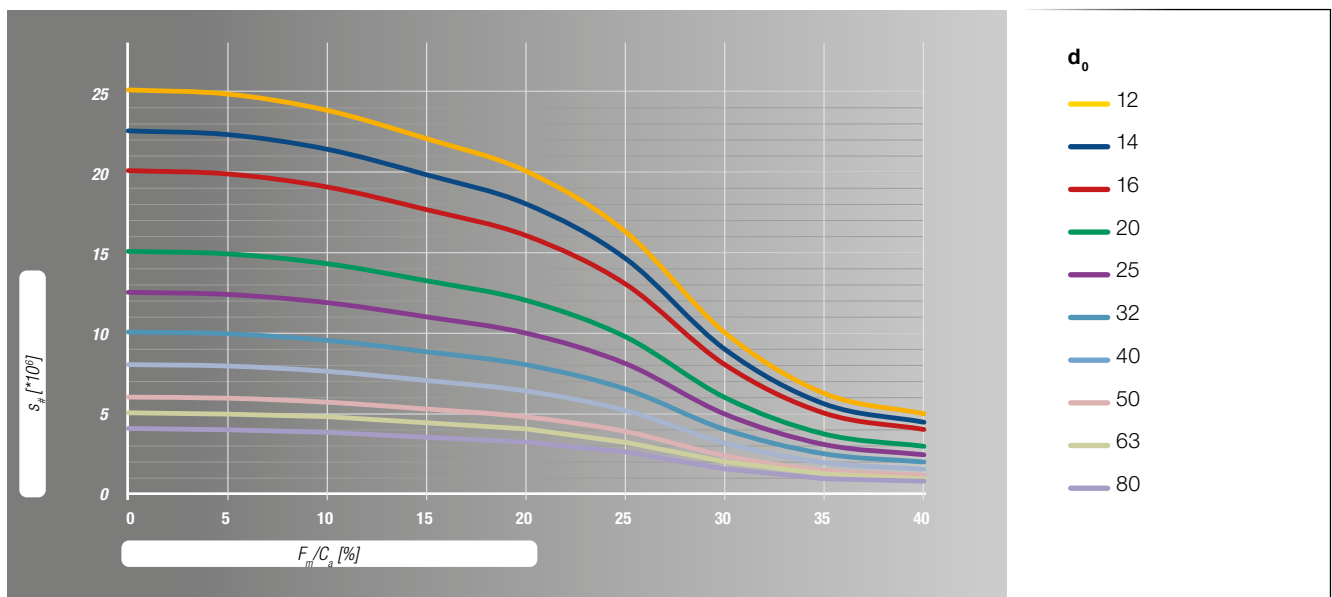


Figure 4.6 ___ Re-lubrication interval for Ball Screws with grease lubrication

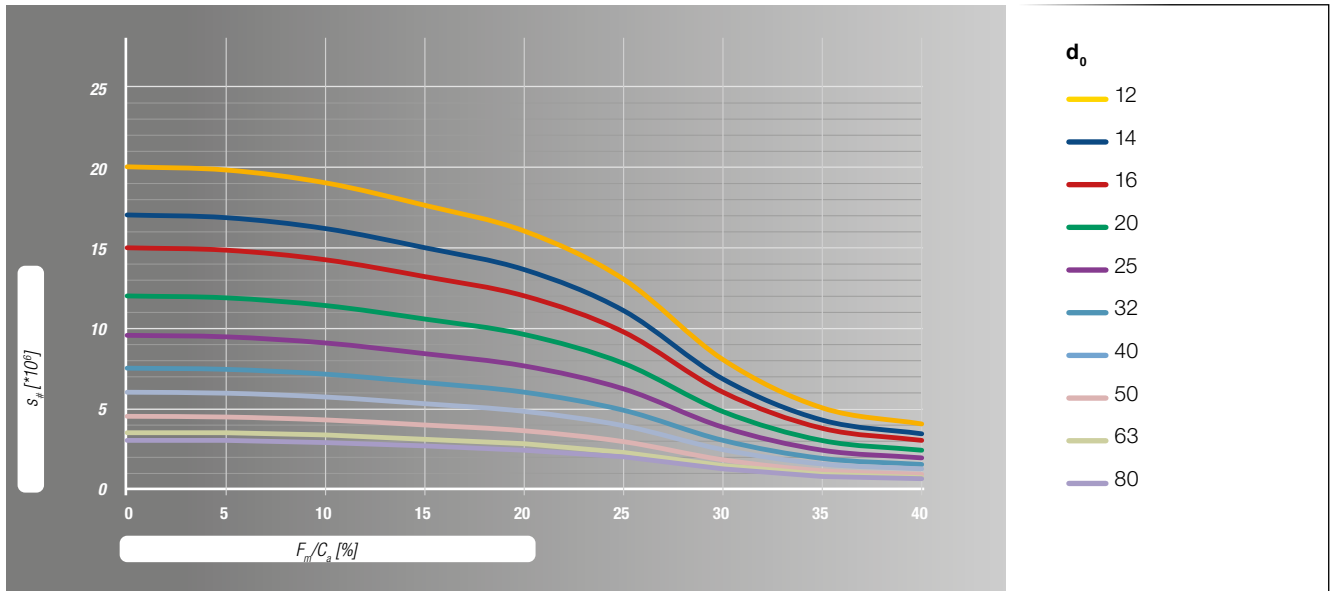


Figure 4.7 ___ Re-lubrication interval for Ball Screws with low-viscosity grease lubrication

The diagram in Figures 4.7 serve as a guideline for determining the re-lubrication interval under normal pollution conditions for Ball Screws with oil lubrication.

In addition to the re-lubrication interval as the number of revolutions ($s_{\#}$), the re-lubrication interval in operating hours (s_h) must also be considered for oil lubrication because the oils with little movements flow out by gravity from the contact area. The criterion that is reached first determines the re-lubrication interval.

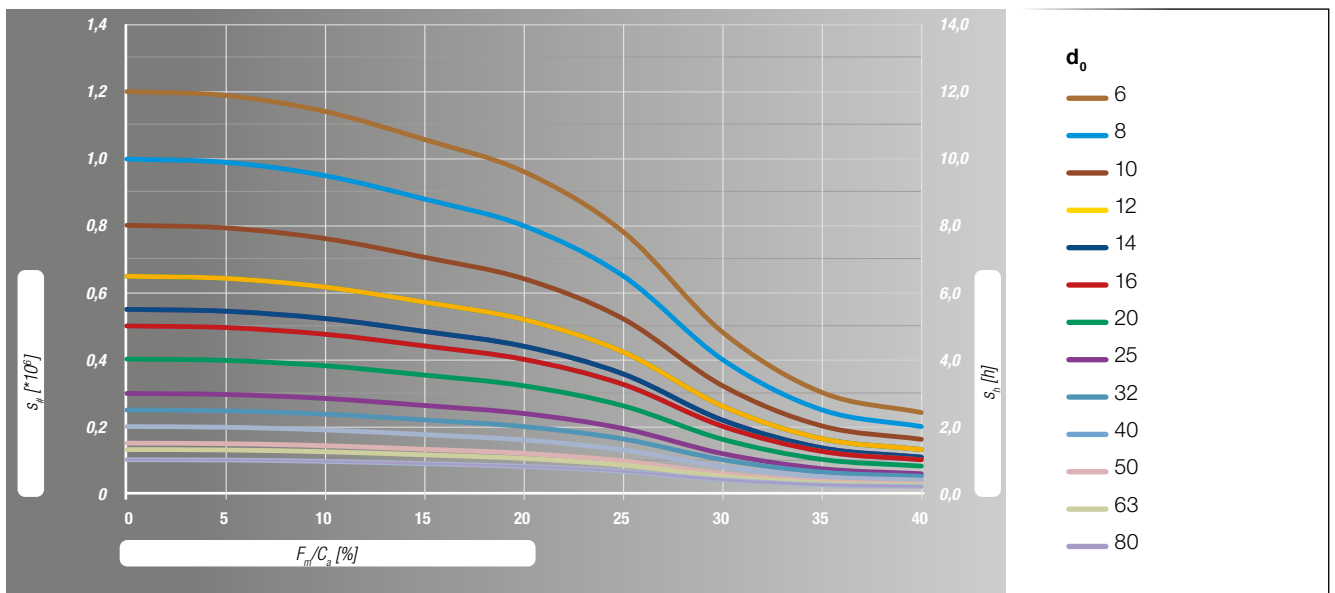


Figure 4.8 ___ Re-lubrication interval for Ball Screws with oil lubrication

Here, too, the mileage in kilometers can be calculated using the Formula [4.1]. If the operating hours (s_h) are the first criterion that occurs, the number of revolutions ($s_{\#}$) on the opposite axis must be used for the calculation.

For short stroke applications ($\text{stroke} \leq \text{nut length}$) it is recommended to shorten the re-lubrication intervals.

Our NTN-SNR application engineers are available for further information.

1. Systemtechnologie

1.1 Definitionen

Lebensdauer L

Die Lebensdauer L ist die Anzahl der Umdrehungen, die ein Kugelgewindetrieb absolvieren kann, bevor die ersten Anzeichen von Materialermüdung an den Laufbahnen oder den Wälzkörpern auftreten.

Nominelle Lebensdauer L_{10}

Die nominelle Lebensdauer L_{10} ist die mit 90% Erlebenswahrscheinlichkeit erreichbare rechnerische Lebensdauer für einen einzelnen Kugelgewindetrieb oder eine Gruppe offensichtlich gleicher, unter gleichen Bedingungen laufender Kugelgewindetriebe bei heute allgemein verwendetem Werkstoff normaler Herstellqualität und unter üblichen Betriebsbedingungen.

Dynamische Tragzahl C_a

Die dynamische Tragzahl C_a ist die in Größe und Richtung unveränderliche axiale Belastung, unter der ein Kugelgewindetrieb theoretisch eine Lebensdauer von 10^6 Umdrehungen erreicht.

Statische Tragzahl C_{0a}

Die statische Tragzahl C_{0a} ist die konstante axiale Belastung, die eine plastische Gesamtverformung des 0,00001-fachen des Kugeldurchmessers erzeugt.

1.2 Verwendete Normen

DIN ISO 3408-1 _____ Kugelgewindetriebe - Teil 1: Begriffe und Bezeichnungssystem (ISO 3408-1:2006)

ISO 3408-2 _____ Ball screws; part 2: nominal diameters and nominal leads; metric series

DIN ISO 3408-3 _____ Kugelgewindetriebe - Teil 3: Abnahmebedingungen und Abnahmeprüfungen (ISO 3408-3:2006)

DIN ISO 3408-4 _____ Kugelgewindetriebe - Teil 4: Statische axiale Steifigkeit (ISO 3408-4:2006)

DIN ISO 3408-5 _____ Kugelgewindetriebe - Teil 5: Statische und dynamische axiale Tragzahl und Lebensdauer (ISO 3408-5:2006)

DIN 69051-2 _____ Werkzeugmaschinen; Kugelgewindetriebe - Teil 2: Nenndurchmesser und Nennsteigungen

DIN 69051-5 _____ Werkzeugmaschinen; Kugelgewindetriebe - Teil 5: Anschlussmaße für Kugelgewindemuttern

Die SNR - Kugelgewindetriebe sind konform der RoHS-Richtlinie (EU-Richtlinie 2011/65/EG).

SNR - Kugelgewindetriebe sind nicht in der Maschinenrichtlinie 2006/42/EG aufgeführt und sind daher nicht von der Richtlinie betroffen.

1.3 Bestimmungsgemäße Verwendung

Bei Kugelgewindetrieben handelt es sich um Baugruppen. SNR - Kugelgewindetriebe dürfen ausschließlich im Rahmen der typenspezifischen Belastungsdaten des Produktkataloges bzw. ergänzender technischer Berechnungen von NTN-SNR für die Umsetzung von Dreh- in Linearbewegungen und umgekehrt eingesetzt werden.

Kugelgewindetriebe dürfen nur von Personen betrieben und gewartet werden, die hiermit vertraut und über die Gefahren unterrichtet sind. Das schließt auch ein, dass diese Dokumentation vollständig gelesen und zur Kenntnis genommen wurde.

Weiterhin ist eine Betriebstemperatur von -10°C bis $+75^{\circ}\text{C}$ einzuhalten.

Eine andere oder darüber hinausgehende Verwendung gilt als nicht bestimmungsgemäß. Für hieraus resultierende Schäden haftet der Hersteller nicht. Das Risiko trägt allein der Anwender.

1.4 Sicherheitshinweise

Für den Einsatz von Kugelgewindetrieben sind nachfolgende Sicherheitshinweise einzuhalten:

- Kugelgewindetriebe nur entsprechend der bestimmungsgemäßen Verwendung einsetzen.
- Kugelgewindetriebe dürfen nur im Rahmen der nach Produktkatalog zulässigen technischen Parameter eingesetzt werden.
- Es dürfen nur Produkte in technisch einwandfreiem Zustand verwendet werden.
- Es dürfen grundsätzlich keine Veränderungen an Kugelgewindetrieben vorgenommen werden.
- Nicht in bewegende oder rotierende Teile greifen.
- Kugelgewindetriebe dürfen nicht auf Endanschläge gefahren werden.
- Der Einsatz in sicherheitsrelevanten Anwendungen ist nur zulässig, wenn eine derartige Verwendung ausdrücklich im Produktkatalog spezifiziert ist oder von NTN-SNR bestätigt wurde.
- Kugelgewindetriebe dürfen nur unter den im Produktkatalog beschriebenen Umgebungsbedingungen eingesetzt werden.
- Kugelgewindetriebe dürfen erst dann in Betrieb genommen werden, wenn festgestellt wurde, dass die Baugruppe oder das Endprodukt in die die Kugelgewindetriebe eingebaut wurden, den länderspezifischen Bestimmungen, Sicherheitsvorschriften und Normen der Anwendung entspricht.
- Es dürfen nur vom Hersteller zugelassene Zubehör- und Ersatzteile verwendet werden.
- Nicht unter schwebenden Lasten aufhalten. Die einzelnen Komponenten von Kugelgewindetrieben sind auf die Lebensdauer der Kugelgewindetriebe ausgelegt. In Ausnahmefällen können Defekte auftreten und bei vertikaler Einbaulage der Kugelgewindetriebe zum Absturz der montierten Bauteile führen. Dagegen sind geeignete Schutzmaßnahmen entsprechend EN ISO 13849-1 zu treffen.
- Die gültigen Vorschriften zur Unfallverhütung und zum Umweltschutz sind zu beachten.
- Bei der Montage und bei Arbeiten an Kugelgewindetrieben ist eine angemessene Schutzausrüstung zu tragen.
- Es sind zum Heben und zum Transport dem Gewicht angepasste, geeignete und geprüfte Lastaufnahmemittel zu verwenden.
- Nach allen Arbeiten an der Maschine sind die Sicherheitseinrichtungen wieder vorschriftsmäßig zu montieren und deren Funktion zu prüfen.
- Vor der Inbetriebnahme sicherstellen, dass alle für die Anwendung erforderlichen Sicherheitseinrichtungen vorhanden, ordnungsgemäß installiert und voll funktionsfähig sind.

1.5 Auswahl von Kugelgewindetrieben

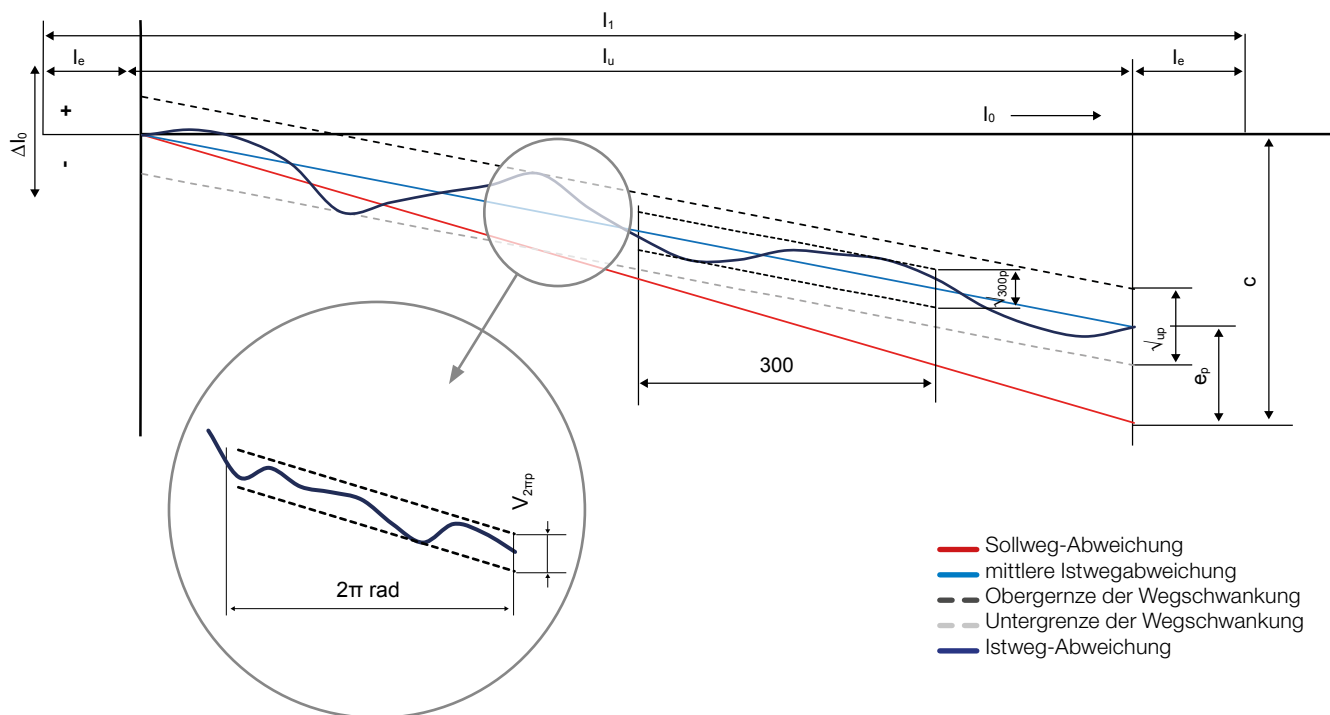
Die Auswahl von Kugelgewindetrieben wird von vielen Faktoren der Anwendung bestimmt:

- Genauigkeitsanforderungen
- Steifigkeitsanforderungen
- Belastungen
- Dynamische Anforderungen
- Lebensdauer
- Bauraum
- ...

1.5.1 Toleranzklassen

Die Klassifizierung von Kugelgewindetrieben erfolgt nach DIN ISO3408-3 in Toleranzklassen 10 bis 0 mit aufsteigender Genauigkeit. Neben der Klassifizierung nach DIN ISO findet man im Markt gelegentlich auch eine Klassifizierung der Toleranzklassen nach den japanischen Normen JIS B 1191 und JIS B 1192, die sich nur geringfügig von der DIN ISO unterscheidet. SNR – Kugelgewindetriebe sind nach DIN ISO3408 toleriert.

Neben der Unterscheidung der Toleranzklassen, werden Kugelgewindetriebe auch nach ihrer Funktion als Transport- und Positionier - Kugelgewindetriebe unterschieden. Transport - Kugelgewindetriebe können in den Toleranzklassen T10 bis T0 und Positionier - Kugelgewindetriebe in den Toleranzklassen P5 bis P0 ausgeführt werden. Die Unterscheidung von Transport- und Positionier - Kugelgewindetrieben erfolgt nach der Art und Anzahl der zu prüfenden Toleranzen der Wegabweichung über die Referenzlänge. Im Diagramm in Bild 2.1 sind die Toleranzen für die Prüfung der Wegabweichung dargestellt.



I_0	Nennweg	Produkt aus Nennsteigung und Anzahl der Umdrehungen
ΔI_0	Wegabweichung	
I_1	Gewindelänge	
I_e	Überlauf	Weganteil über den die geforderte Genauigkeit nicht angewendet wird
I_u	Nutzweg	Hub + Länge der Kugelgewindemutter
C	Wegkompensation	Differenz zwischen Soll- und Nennweg über den Nutzweg (Standard $C=0$)
e_p	Grenzmaß für mittlere Istweg - Abweichung	Halbe Differenz zwischen dem maximalen und minimalen Wert des erlaubten mittleren Istweges
$\sqrt{u_p}$	Toleranz der Wegabweichung über den Nutzweg I_u	
$\sqrt{300p}$	Toleranz der Wegabweichung über 300mm Weg	Kann an jeder Stelle der Gewindespindel gemessen werden
$\sqrt{2mp}$	Toleranz der Wegabweichung pro Umdrehung	

Bild 2.1 Prüfung der Wegabweichung von Kugelgewindetrieben

Tabelle 2.1 enthält die Übersicht der jeweiligen Prüfkriterien.

Tabelle 2.1 __ Prüfkriterien für Kugelgewindetriebe

Wegabweichung über eine Referenzlänge	Positionier - Kugelgewindetrieb	Transport - Kugelgewindetrieb
	Prüfung	
Wegkompensation C für den Nutzweg l_u	Angabe durch den Anwender	C = 0
Toleranz des Sollwegs e_p	E1.1	E1.2
Zulässige Wegschwankung $\sqrt{v_{up}}$ über den Nutzweg l_u	E2	-
Zulässige Wegschwankung $\sqrt{v_{300p}}$ über 300 mm Weg	E3	E3
Zulässige Wegschwankung $\sqrt{v_{2mp}}$ über 2 $^{\circ}$ rad	E4	-

Prüfung E1.1 – Toleranz des Sollwegs für Positionier - Kugelgewindetriebe

Die Werte für die Sollwegabweichung von Positionier - Kugelgewindetriebe sind abhängig von der Länge der Kugelgewindetriebe. Die zulässigen Toleranzen sind in Tabelle 2.2 zusammengefasst.

Tabelle 2.2 __ Sollwegtoleranzen für Positionier - Kugelgewindetriebe

Nutzweg l_u [μ m]		Sollwegtoleranz e_p [μ m] Toleranzklassen					
>	\leq	0	1	3	5	7	10
0	315	4	6	12	23	-	-
315	400	5	7	13	25	-	-
400	500	6	8	15	27	-	-
500	630	6	9	16	32	-	-
630	800	7	10	18	36	-	-
800	1 000	8	11	21	40	-	-
1 000	1 250	9	13	24	47	-	-
1 250	1 600	11	15	29	55	-	-
1 600	2 000	-	18	35	65	-	-
2 000	2 500	-	22	41	78	-	-
2 500	3 150	-	26	50	96	-	-
3 150	4 000	-	32	62	115	-	-
4 000	5 000	-	-	76	140	-	-
5 000	6 300	-	-	-	170	-	-

Prüfung E1.2 – Toleranz des mittleren Wegabweichung von Transport - Kugelgewindetriebe

Die Werte für die mittlere Wegabweichung von Transport - Kugelgewindetrieben sind nur von dem Nutzweg l_u abhängig. Die zulässigen Toleranzen werden nach der Formel in Tabelle 2.3 berechnet.

Tabelle 2.3 __ Mittlere Wegabweichung für Transport - Kugelgewindetriebe

Sollwegtoleranz über den Nutzweg l_u						
e_p [μm]						
Toleranzklassen						
0	1	3	5	7	10	

$$e_p = \pm \frac{l_u}{300} v_{300p}$$

Prüfung E2 – Toleranz der Wegabweichung $\sqrt{v_{up}}$ über den Nutzweg l_u für Positionier - Kugelgewindetriebe

Die Werte für die Wegschwankung $\sqrt{v_{up}}$ von Positionier - Kugelgewindetrieben sind abhängig von der Länge der Kugelgewindetriebe. Die zulässigen Toleranzen sind in Tabelle 2.4 zusammengefasst.

Tabelle 2.4 __ Toleranzen der Wegabweichung $\sqrt{v_{up}}$ für Positionier - Kugelgewindetriebe

Nutzweg l_u [μm]		Wegschwankung $\sqrt{v_{up}}$ [μm]					
>	\leq	Toleranzklassen					
		0	1	3	5	7	10
0	315	3,5	6	12	23	-	-
315	400	3,5	6	12	25	-	-
400	500	4	7	13	26	-	-
500	630	4	7	14	29	-	-
630	800	5	8	16	31	-	-
800	1 000	6	9	17	34	-	-
1 000	1 250	6	10	19	39	-	-
1 250	1 600	7	11	22	44	-	-
1 600	2 000	-	13	25	51	-	-
2 000	2 500	-	15	29	59	-	-
2 500	3 150	-	17	34	69	-	-
3 150	4 000	-	21	41	82	-	-
4 000	5 000	-	-	49	99	-	-
5 000	6 300	-	-	-	119	-	-

Prüfung E3 – Toleranz der Wegabweichung $\sqrt{_{300p}}$ über 300 mm für Positionier - und Transport - Kugelgewindetriebe

Die Werte für die Wegschwankung $\sqrt{_{300p}}$ von Positionier- und Transport - Kugelgewindetrieben beziehen sich auf eine Wegstrecke von 300 mm an jeder Stelle des Kugelgewindetriebs. Die zulässigen Toleranzen sind in Tabelle 2.5 zusammengefasst.

Tabelle 2.5 Toleranzen der Wegabweichung $\sqrt{_{300p}}$ für Kugelgewindetriebe

Wegschwankung über 300 mm					
$\sqrt{_{300p}}$ [μm]					
Toleranzklassen					
0	1	3	5	7	10
3,5	6	12	23	52 ¹	210 ¹

¹ nur für Transport - Kugelgewindetriebe

Prüfung E4 – Toleranz der Wegabweichung $\sqrt{_{2\pi p}}$ pro Umdrehung für Positionier - Kugelgewindetriebe

Die Werte für die Wegschwankung $\sqrt{_{2\pi p}}$ von Positionier - Kugelgewindetrieben beziehen sich auf eine Umdrehung des Kugelgewindetriebs. Die zulässigen Toleranzen sind in Tabelle 2.6 zusammengefasst.

Tabelle 2.5 Toleranzen der Wegabweichung $\sqrt{_{2\pi p}}$ für Kugelgewindetriebe

Wegschwankung pro 2π rad					
$\sqrt{_{2\pi p}}$ [μm]					
Toleranzklassen					
0	1	3	5	7	10
3	4	6	8	-	-

1.5.2 Form- und Lagetoleranzen

Positionier – und Transport -Kugelgewindetriebe müssen nach DIN ISO3408-3, in Abhängigkeit der Toleranzklassen, Anforderungen an Rundlauf -, Planlauf - und Parallelitätstoleranzen erfüllen. Die einzelnen zu prüfenden Toleranzen sind nachfolgend erläutert. Abweichende Anforderungen an diese Toleranzen können nach Zeichnung definiert werden.

Für weitere Informationen stehen Ihnen unsere NTN-SNR – Anwendungsingenieure zur Verfügung.

Prüfung E5 – Messung der Rundlaufabweichung t_{sp} des Kugelgewindespindelaußendurchmessers für Positionier - und Transport - Kugelgewindetriebe

Die Messung erfolgt an der auf identischen Prismen gelagerten Spindel, über die Länge l_5 zur Bestimmung der Geradheit zwischen den Lagerstellen AA' entsprechend Bild 2.2. Die Toleranzen sind in Tabelle 2.7 zusammengefasst.

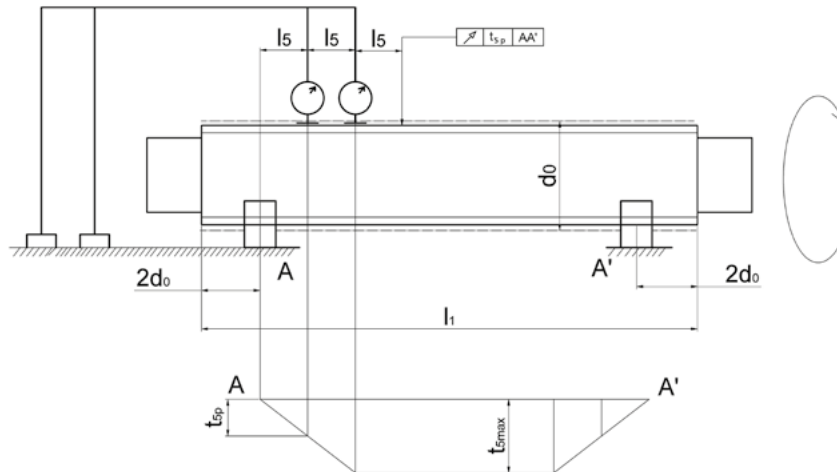


Bild 2.2 ____ Messung der Rundlaufabweichung t_{sp} des Kugelgewindespindelaußendurchmessers

Tabelle 2.7 __ Rundlaufabweichung t_{sp} des Kugelgewindespindelaußendurchmessers

Nenndurchmesser d_0 [mm]		l_5 [mm]	Rundlaufabweichung t_{sp} für l_5 [μ m]					
>	\leq		Toleranzklassen					
			0	1	3	5	7	10
6	12	80	16	20	25	32	40	80
12	25	160						
25	50	315						
50	100	630						
100	200	1 250						

l_1 / d_0 [mm]			Rundlaufabweichung $t_{smax p}$ für $l_1 > 4 \times l_5$ [μ m]					
>	\leq		Toleranzklassen					
			0	1	3	5	7	10
-	40		32	40	50	64	80	160
40	60		48	60	75	96	120	240
60	80		80	100	125	160	200	400
80	100		128	160	200	256	320	640

Prüfung E6.1 – Messung der Rundlaufabweichung $t_{6,1}$ des Lagersitzes bezogen auf die Länge l für Positionier - und Transport - Kugelgewindetriebe

Die Messung zur Bestimmung des Rundlaufs des Lagersitzes erfolgt, an der auf identischen Prismen AA' gelagerten Spindel, entsprechend Bild 2.3. Die Toleranzen sind in Tabelle 2.8 zusammengefasst.

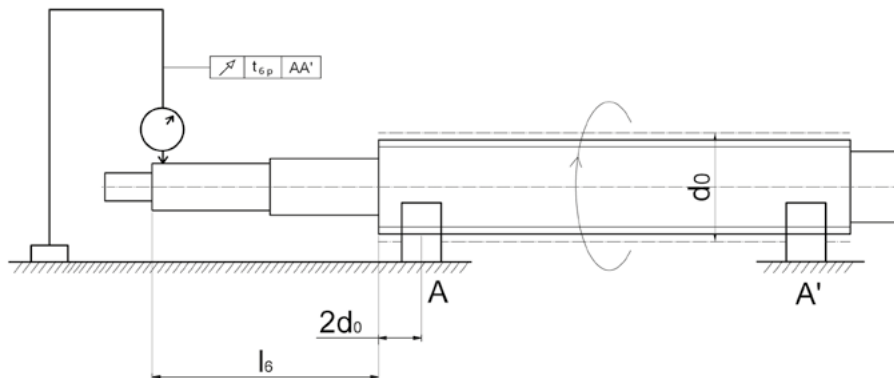


Bild 2.3 Messung der Rundlaufabweichung $t_{6,1}$ des Lagersitzes

Tabelle 2.8 Rundlaufabweichung $t_{6,1}$ des Lagersitzes

Nenn Durchmesser d_0 [mm]		l [mm]	Rundlaufabweichung $t_{6,1 p}$ für l [µm]				
>	≤		Toleranzklassen				
			1	3	5	7	10
6	20	80	10	12	20	40	63
20	50	125	12	16	25	50	80
50	125	200	16	20	32	63	100
125	200	315	-	25	40	80	125

Prüfung E6.2 – Messung der Rundlaufabweichung $t_{6,2}$ des Lagersitzes bezogen auf die Zentrierlinie der Spindel für Positionier - und Transport - Kugelgewindetriebe

Die Messung erfolgt an der, auf einer größeren Anzahl von Kugeln mit derselben Größe, wie bei normalem Einsatz, in der Nähe beider Enden des Gewindeabschnitts gelagerten Kugelgewindespindel entsprechend Bild 2.4. Die Toleranzen sind in Tabelle 2.9 zusammengefasst.

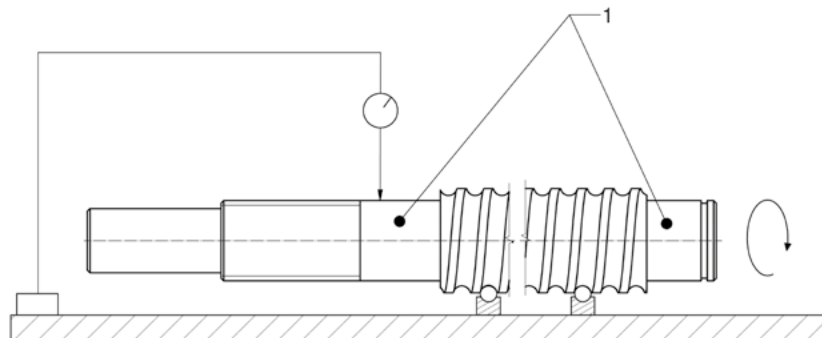


Bild 2.4 Messung der Rundlaufabweichung $t_{6,2}$ des Lagersitzes

Tabelle 2.9 __ Rundlaufabweichung $t_{6,2}$ des Lagersitzes

Nenndurchmesser d_0 [mm]		Rundlaufabweichung $t_{6,2p}$ [μm]					
>	\leq	Toleranzklassen					
		0	1	3	5	7	10
-	8	3	5	8	10	-	-
8	12	4	5	8	11	-	-
12	20	4	6	9	12	-	-
20	32	5	7	10	13	-	-
32	50	6	8	12	15	-	-
50	80	7	9	13	17	-	-
80	125	-	10	15	20	-	-

Prüfung E7.1 – Messung der Rundlaufabweichung $t_{7,1}$ des Endzapfens – Durchmessers bezogen auf den Lagersitz durch Differenzbildung für Positionier - und Transport - Kugelgewindetriebe

Die Messung erfolgt auf identischen Prismen AA' gelagerter Spindel entsprechend Bild 2.5. Die Toleranzen sind in Tabelle 2.10 zusammengefasst.

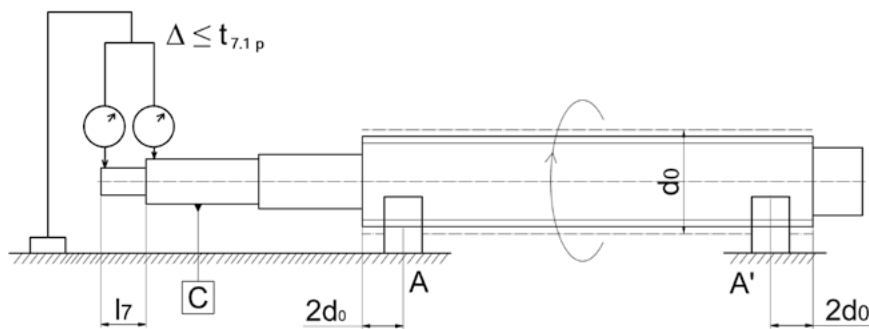


Bild 2.5 ____ Messung der Rundlaufabweichung $t_{7,1}$ des Endzapfens

Tabelle 2.10 _ Rundlaufabweichung $t_{7,1}$ des Endzapfens

Nenndurchmesser d_0 [mm]		l [mm]	Rundlaufabweichung $t_{7,1p}$ für l [μm]				
>	\leq		Toleranzklassen				
			1	3	5	7	10
6	20	80	5	6	8	12	16
20	50	125	6	8	10	16	20
50	125	200	8	10	12	20	25
125	200	315	-	12	16	25	32

Prüfung E7.2 – Messung der Rundlaufabweichung $t_{7,2}$ des Endzapfen-Durchmessers bezogen auf die Zentrierlinie des Lagersitzes für Positionier - und Transport - Kugelgewindetriebe

Die Messung erfolgt an der, horizontal in identischen Prüfprismen auf ihren Lagersitzen gelagerten Kugelgewindespindel entsprechend Bild 2.6. Die Toleranzen sind in Tabelle 2.11 zusammengefasst.

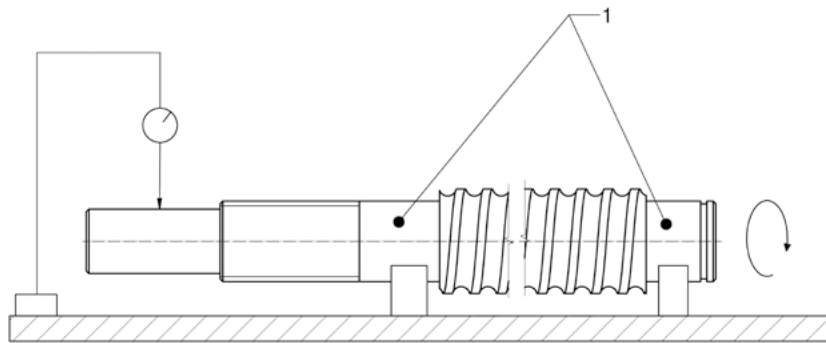


Bild 2.6 _____ Messung der Rundlaufabweichung $t_{7,2}$ des Endzapfens

Tabelle 2.11 _ Rundlaufabweichung $t_{7,2}$ des Endzapfens

Nenndurchmesser d_0 [mm]		Rundlaufabweichung $t_{7,2,p}$ [μm]					
>	\leq	Toleranzklassen					
		0	1	3	5	7	10
-	8	3	5	8	10	-	-
8	12	4	5	8	11	-	-
12	20	4	6	9	12	-	-
20	32	5	7	10	13	-	-
32	50	6	8	12	15	-	-
50	80	7	9	13	17	-	-
80	125	-	10	15	20	-	-

Prüfung E8.1 – Messung der Planlaufabweichung $t_{8,1}$ der Anlageflächen der Lager bezogen auf AA' für Positionier - und Transport - Kugelgewindetriebe

Die Messung erfolgt auf identischen Prismen AA' gelagerter Spindel entsprechend Bild 2.7. Die Toleranzen sind in Tabelle 2.12 zusammengefasst.

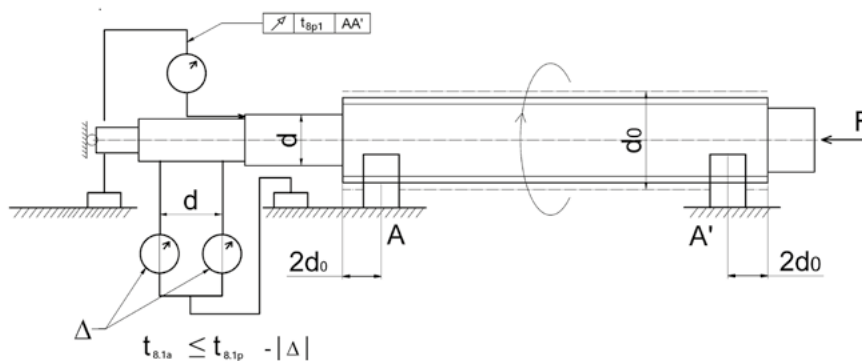


Bild 2.7 Messung der Planlaufabweichung $t_{8,1}$ der Anlageflächen der Lager

Tabelle 2.12 _ Planlaufabweichung $t_{8,1}$ der Anlageflächen der Lager

Nenndurchmesser d_0 [mm]		Planlaufabweichung $t_{8,1p}$ [μ m]				
>	\leq	Toleranzklassen				
		1	3	5	7	10
6	63	3	4	5	6	10
63	125	4	5	6	8	12
125	200	-	6	8	10	16

Prüfung E8.2 – Messung der Planlaufabweichung $t_{8,2}$ der Anlageflächen der Lager bezogen auf auf die Zentrierlinie von Positionier - und Transport - Kugelgewindetrieben

Die Messung erfolgt auf identischen Prismen gelagerter Spindel entsprechend Bild 2.8. Die Toleranzen sind in Tabelle 2.13 zusammengefasst.

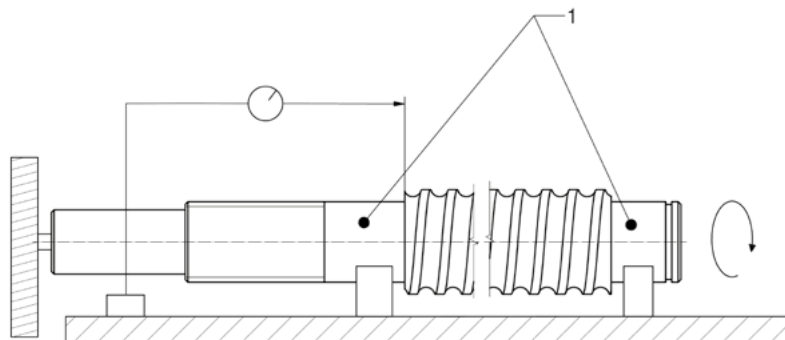


Bild 2.8 ____ Messung der Planlaufabweichung $t_{8,2}$ der Anlageflächen der Lager

Tabelle 2.13 _ Planlaufabweichung $t_{8,2}$ der Anlageflächen der Lager

Nenndurchmesser d_0 [mm]		Planlaufabweichung $t_{8,2p}$ [μ m]					
>	\leq	Toleranzklassen					
		0	1	3	5	7	10
-	8	2	3	4	5	-	-
8	12	2	3	4	5	-	-
12	20	2	3	4	5	-	-
20	32	2	3	4	5	-	-
32	50	2	3	4	5	-	-
50	80	3	4	5	7	-	-
80	125	-	4	6	8	-	-

Prüfung E9 – Messung der Planlaufabweichung t_{9p} der Anlageflächen der Kugelgewindemutter bezogen auf AA' von vorgespannten Positionier - und Transport - Kugelgewindetrieben

Die Messung erfolgt auf identischen Prismen AA' gelagerter Spindel entsprechend Bild 2.9. Die Toleranzen sind in Tabelle 2.14 zusammengefasst.

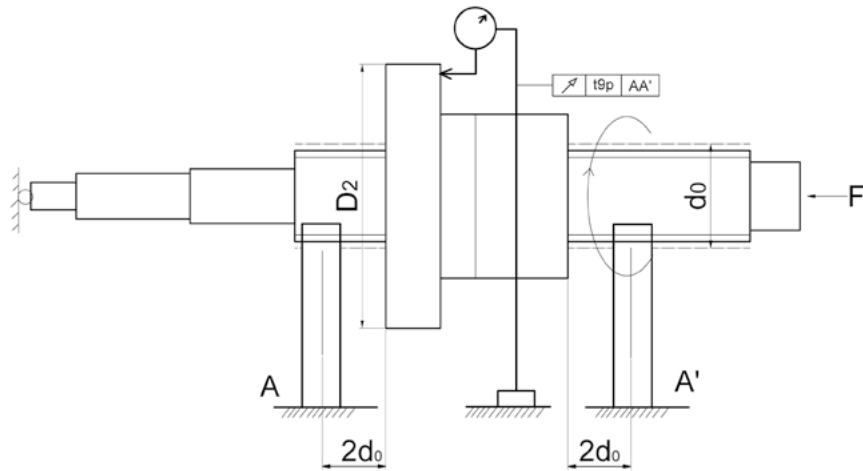


Bild 2.9 _____ Messung der Planlaufabweichung t_{9p} der Anlageflächen der Kugelgewindemutter

Tabelle 2.14 _ Planlaufabweichung t_{9p} der Anlageflächen der Kugelgewindemutter

Flanschdurchmesser D_2 [mm]		Planlaufabweichung t_{9p} [μ m]					
>	\leq	Toleranzklassen					
		0	1	3	5	7	10
16	32	8	10	12	16	20	-
32	63	10	12	16	20	25	-
63	126	12	16	20	25	32	-
126	250	16	20	25	32	40	-
250	500	-	-	32	40	50	-

Prüfung E10 – Messung der Rundlaufabweichung t_{10p} des Außendurchmessers der Kugelgewindemutter bezogen auf AA' von vorgespannten Positionier - und Transport - Kugelgewindetrieben

Die Messung erfolgt auf identischen Prismen AA' gelagerter Spindel entsprechend Bild 2.10. Die Toleranzen sind in Tabelle 2.15 zusammengefasst.

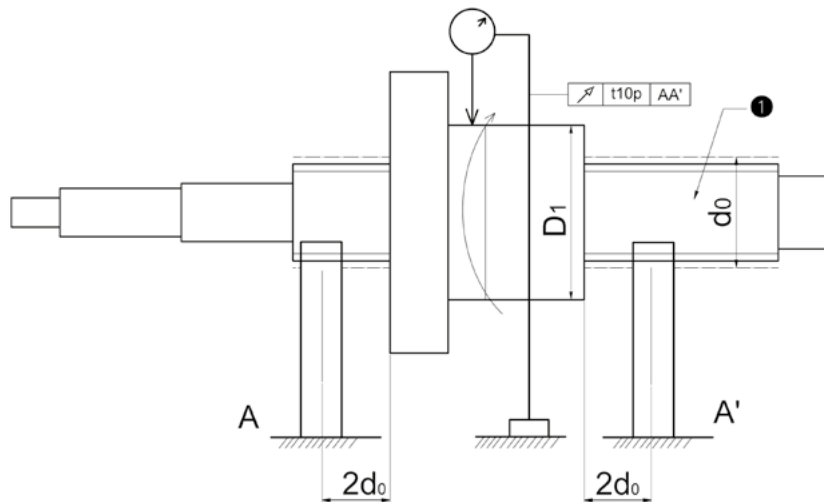


Bild 2.10 ____ Messung der Rundlaufabweichung t_{10p} des Außendurchmessers der Kugelgewindemutter

Tabelle 2.15 _ Rundlaufabweichung t_{10p} des Außendurchmessers der Kugelgewindemutter

Außendurchmesser der Mutter D_1 [mm]		Rundlaufabweichung t_{10p} [μm]					
>	\leq	Toleranzklassen					
		0	1	3	5	7	10
16	32	8	10	12	16	20	-
32	63	10	12	16	20	25	-
63	126	12	16	20	25	32	-
126	250	16	20	25	32	40	-
250	500	-	-	32	40	50	-

1.5.3 Leerlaufdrehmoment

Das Leerlaufdrehmoment eines Kugelgewindetriebs setzt sich aus dem Leerlaufdrehmoment durch Vorspannung und dem Leerlaufdrehmoment der Dichtungselemente zusammen. Das mittlere Leerlaufdrehmoment T_{p0} durch Vorspannung berechnet sich nach Formel 2.1 und ist nach DIN ISO 3408 in Abhängigkeit der Toleranzklasse Schwankungen entsprechend Diagramm 2.16 und Tabelle 2.16 unterworfen.

$$T_{p0} = \frac{F_{pr} \times P}{2\pi \times 10^3} \quad \text{[Formel 2.1]}$$

T_{p0} Mittleres Leerlaufdrehmoment durch Vorspannung [Nm]
 F_{pr} Vorspannkraft [N]
 P Spindelsteigung [mm]

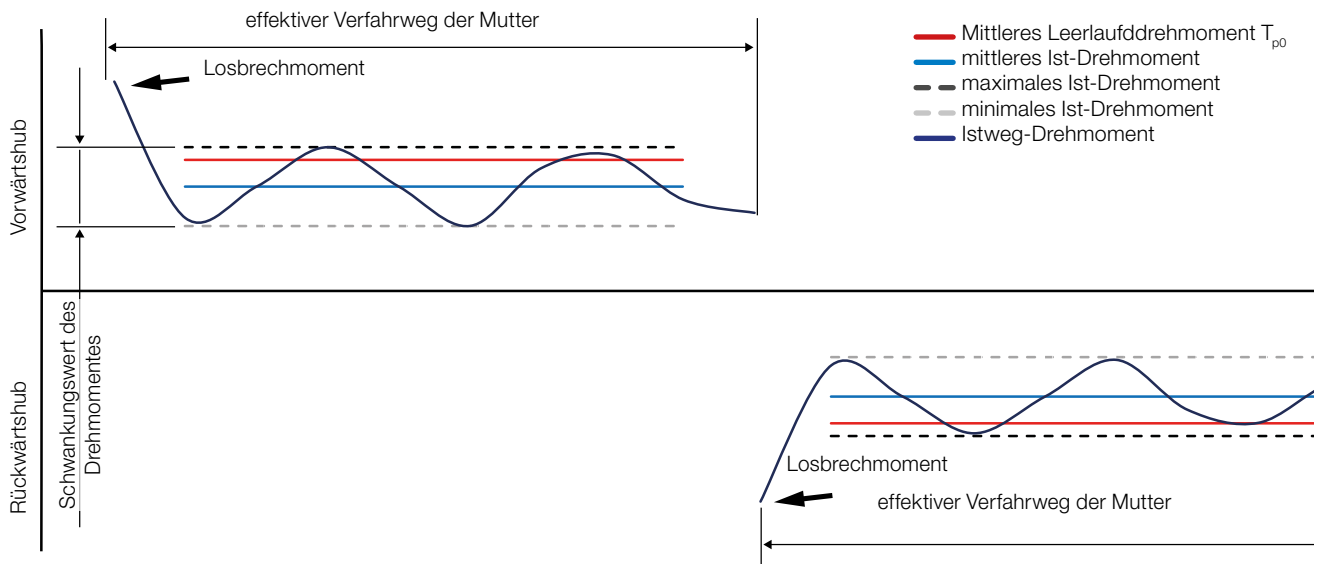


Bild 2.11 ____ Leerlaufdrehmomentschwankung von Kugelgewindetriebs

Tabelle 2.16 _ Leerlaufdrehmomentschwankung von Kugelgewindetrieben

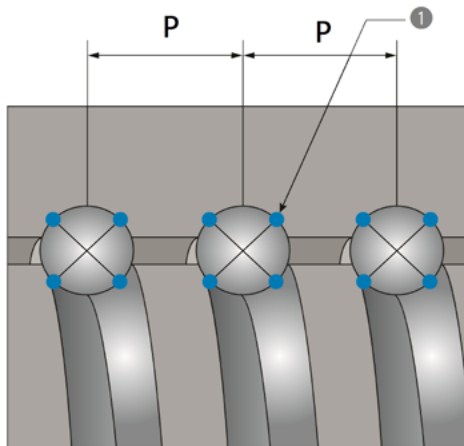
mittleres Leerlaufdrehmoment		Gesamtlänge ≤ 4 000 mm Gewindelänge Nenndurchmesser ≤ 40 Toleranzklasse					
		0	1	3	5	7	10
>	≤	Δ T _{pp} [% von T _{p0}]					
[mm]							
0,2	0,4	± 30	± 35	± 40	± 50	-	-
0,4	0,6	± 25	± 30	± 35	± 40	-	-
0,6	1,0	± 20	± 25	± 30	± 35	± 40	-
1,0	2,5	± 15	± 20	± 25	± 30	± 35	-
2,5	6,3	± 10	± 15	± 20	± 25	± 30	-
6,3	10,0	-	-	± 15	± 20	± 30	-

mittleres Leerlaufdrehmoment		Gesamtlänge ≤ 4 000 mm Gewindelänge Nenndurchmesser 40 < ≤ 60 Toleranzklasse					
		0	1	3	5	7	10
>	≤	Δ T _{pp} [% von T _{p0}]					
[mm]							
0,2	0,4	± 40	± 40	± 50	± 60	-	-
0,4	0,6	± 35	± 35	± 40	± 45	-	-
0,6	1,0	± 30	± 30	± 35	± 40	± 45	-
1,0	2,5	± 25	± 25	± 30	± 35	± 40	-
2,5	6,3	± 20	± 20	± 25	± 30	± 35	-
6,3	10,0	-	-	± 20	± 25	± 35	-

mittleres Leerlaufdrehmoment		Gesamtlänge > 4 000 mm Toleranzklasse					
		0	1	3	5	7	10
>	≤	Δ T _{pp} [% von T _{p0}]					
[mm]							
0,2	0,4	keine Angabe					
0,4	0,6						
0,6	1,0	-	-	± 40	± 45	± 50	-
1,0	2,5	-	-	± 35	± 40	± 45	-
2,5	6,3	-	-	± 30	± 35	± 40	-
6,3	10,0	-	-	± 25	± 30	± 35	-

1.5.4 Vorspannung

Durch Vorspannung kann bei Kugelgewindetriebsen Spielfreiheit erreicht und die axiale Steifigkeit erhöht werden. Um Vorspannung in Kugelgewindetriebsen zu realisieren, gibt es verschiedene Möglichkeiten.

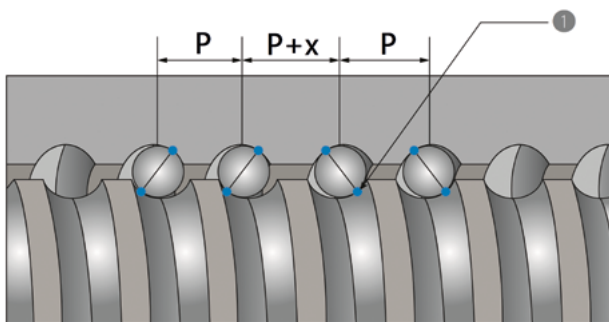


Bei Standard - Einzelmuttern können Kugeln mit einem definierten Übermaß montiert werden. Durch den entstehenden Vierpunktcontact der Kugeln (Bild 2.12) steigt die Reibung sehr stark an, sodass diese Vorspannmethode nur für Spielfreiheit oder leichte Vorspannung geeignet ist.

- P** Spindelsteigung
- 1** Kugel mit Vierpunktcontact

Bild 2.12 ____ Einzelmutter mit Vorspannung

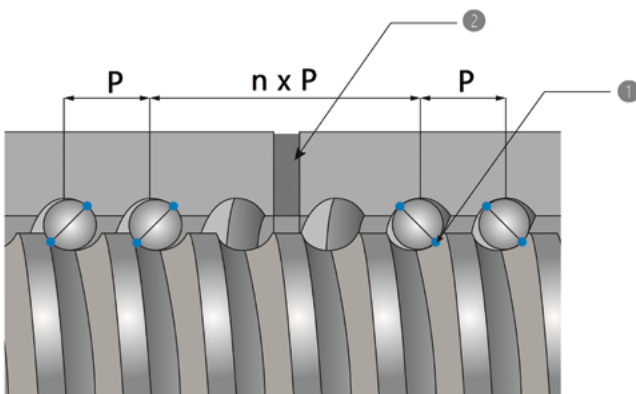
Eine weitere Möglichkeit für Vorspannung bei Einzelmuttern ist der Steigungsversatz. Diese Muttern enthalten einen definierten Versatz mittig zwischen den einzelnen Kugelumlenkungen. Dadurch erhalten die Kugeln Zweipunktcontact (Bild 2.13) mit nur geringem Anstieg der Reibung. Diese Vorspannmethode ist für mittlere Vorspannung geeignet.



- P** Spindelsteigung
- x** Steigungsversatz
- 1** Kugel mit Zweipunktcontact

Bild 2.13 ____ Vorspannung bei Einzelmuttern mit Steigungsversatz

Bei Doppelmuttern wird die Vorspannung durch die Montage von einem Distanzelement mit definierter Dicke erreicht. Die beiden Mutterhälften werden dabei gegeneinander verspannt. Dadurch erhalten die Kugeln Zweipunktcontact (Bild 2.14) mit nur geringem Anstieg der Reibung. Diese Vorspannmethode für mittlere und hohe Vorspannung geeignet.



- P** Spindelsteigung
- 1** Kugel mit Zweipunktcontact
- 2** Distanzelement

Bild 2.14 ____ Vorspannung bei Doppelmuttern

1.5.5 Steifigkeit

Die Erhöhung der axialen Steifigkeit von Vorschubachsen mit Kugelgewindetrieben ist notwendig, um die Nachgiebigkeit unter dem Einfluss von äußeren Belastungen zu reduzieren und die Positioniergenauigkeit zu erhöhen.

Die elastische axiale Nachgiebigkeit einer Vorschubachse unter Axiallast berechnet sich nach Formel 2.2.

$$\sigma = \frac{10^3 \times \Delta F_a}{K}$$

[Formel 2.2]

σ Elastische axiale Nachgiebigkeit [μm]
 ΔF_a Änderung der Axialkraft [kN]
 K axiale Gesamtsteifigkeit [$\text{N}/\mu\text{m}$]

Die axiale Gesamtsteifigkeit setzt sich aus verschiedenen Einzelsteifigkeiten nach der Formel 2.3 zusammen.

$$\frac{1}{K} = \frac{1}{K_N} + \frac{1}{K_S} + \frac{1}{K_B} + \frac{1}{K_A}$$

[Formel 2.3]

K axiale Gesamtsteifigkeit [$\text{N}/\mu\text{m}$]
 K_N axiale Steifigkeit der Mutter [$\text{N}/\mu\text{m}$]
 K_S axiale Steifigkeit der Spindel [$\text{N}/\mu\text{m}$]
 K_B axiale Steifigkeit der Lagereinheit [$\text{N}/\mu\text{m}$]
 K_A axiale Steifigkeit der Mutteraufnahme [$\text{N}/\mu\text{m}$]

Axiale Steifigkeit der Mutter K_N

Die axiale Steifigkeit der Mutter wird hauptsächlich durch die Vorspannung bestimmt.

Muttern ohne Vorspannung

Bei Kugelgewindemuttern ohne Vorspannung basieren die theoretischen Angaben in den Datentabellen in Katalog-Kapitel 5.2 auf Muttern mit einer Axialbelastung von 30% der dynamischen Tragzahl. Liegt die Axialbelastung über 30% der dynamischen Tragzahl, berechnet sich der Steifigkeitswert nach Formel 2.4, wobei 80% der dynamischen Tragzahl nicht zu überschreiten sind.

$$K_{N80} = 0,8 K_N \sqrt[3]{\frac{F_a}{0,3 C_a}}$$

[Formel 2.4]

K_{N80} axiale Steifigkeit der Mutter bei Axiallast $>0,3C_a$ [$\text{N}/\mu\text{m}$]
 K_N axiale Steifigkeit der Mutter [$\text{N}/\mu\text{m}$]
 F_a Änderung der Axialkraft [kN]
 C_a Dynamische Tragzahl [kN]

Muttern mit Vorspannung

Bei Kugelgewindetriebmuttern mit Vorspannung basieren die theoretischen Angaben in den Datentabellen in Katalog-Kapitel 5.2 auf Muttern mit einer Vorspannung von 10% der dynamischen Tragzahl. Weicht die Vorspannung von den 10% der dynamischen Tragzahl ab, berechnet sich der Steifigkeitswert nach Formel 2.5.

$$K_{N10} = 0,8 K_N \sqrt[3]{\frac{F_{a0}}{0,1 C_a}}$$

[Formel 2.5]

K_{N10} axiale Steifigkeit der Mutter mit Vorspannung $0,1C_a$ [$\text{N}/\mu\text{m}$]
 K_N axiale Steifigkeit der Mutter [$\text{N}/\mu\text{m}$]
 F_{a0} Vorspannkraft [kN]
 C_a Dynamische Tragzahl [kN]

Axiale Steifigkeit der Spindel K_s

Die axiale Steifigkeit der Spindel wird hauptsächlich von der Art der Lagerung bestimmt.

Bei den Ausführungen der Lagerungen fest-lose und fest-frei (Bild 2.15 und 2.16) berechnet sich der Steifigkeitswert nach Formel 2.6.

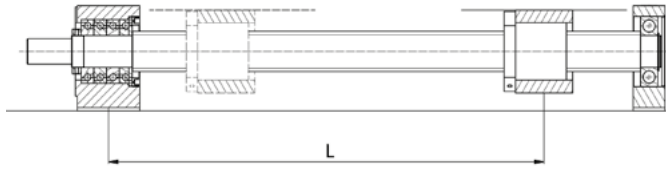


Bild 2.15 ____ Lagerung fest - lose

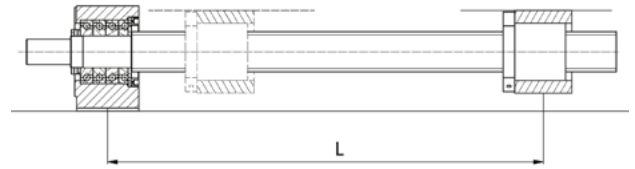


Bild 2.16 ____ Lagerung fest - frei

$$K_s = \frac{\pi \times d_2^2 \times E}{4 \times 10^3 \times L}$$

[Formel 2.6]

K_s axiale Steifigkeit der Spindel [N/ μ m]
 d_2 Spindelkerndurchmesser [mm]
 E Elastizitätsmodul [$2,06 \times 10^5$ N/mm²]
 L Ungestützte Spindellänge [mm]

Bei den Ausführungen der Lagerungen fest-fest (Bild 2.17) berechnet sich der Steifigkeitswert nach Formel 2.7. Der Steifigkeitswert erreicht bei der Mutterposition $L_1 = L_2 = L/2$ das Minimum.

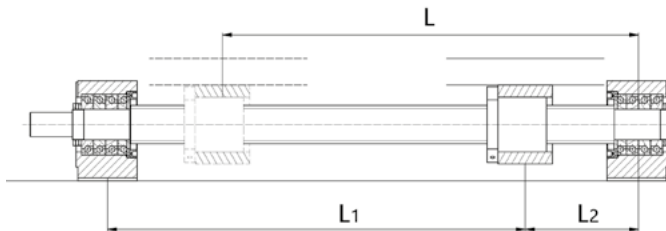


Bild 2.17 ____ Lagerung fest - fest

$$K_s = \frac{\pi \times d_2^2 \times E \times L}{4 \times 10^3 \times L_1 \times L_2}$$

[Formel 2.7]

K_s axiale Steifigkeit der Spindel [N/ μ m]
 d_2 Spindelkerndurchmesser [mm]
 E Elastizitätsmodul [$2,06 \times 10^5$ N/mm²]
 L Freie Spindellänge [mm]
 L_1 Abstand der Mutter vom Lager mit dem Antrieb [mm]
 L_2 Abstand der Mutter vom Lager ohne Antrieb [mm]

Axiale Steifigkeit der Lagereinheit K_b

Die Angaben zu der axialen Steifigkeit der Lagereinheiten in den unterschiedlichen Ausführungen sind aus den Datentabellen in Katalog-Kapitel 6.1 zu entnehmen.

Axiale Steifigkeit der Mutteraufnahme K_A

Mutteraufnahmen sind keine Standardteile. Die axiale Steifigkeit der Mutteraufnahme hängt von der genauen Ausführung ab. Diese sollte möglichst steif konstruiert sein. Eine Angabe von Steifigkeitswerten ist durch NTN-SNR nicht möglich.

1.5.6 Statischer Sicherheitsfaktor

Um eine sichere Funktion eines Kugelgewindetriebs zu gewährleisten, ist es wichtig, dass die lokalen plastischen Verformungen der Laufbahnen und der Kugeln unter Belastung die zulässigen Grenzwerte nicht überschreiten.

Die Ermittlung des statischen Sicherheitsfaktors erfolgt nach Formel 2.8. Bei Einsatzbedingungen unter erhöhten Temperaturen und bei Kugelgewindetrieben, die aus Sonderwerkstoffen hergestellt wurden, sind Einflussfaktoren entsprechend der Diagramme in den Bildern 2.18 und 2.19 zu berücksichtigen.

$$f_s = \frac{f_H \times f_T \times C_{0a}}{F_{max}}$$

[Formel 2.8]

f_s statischer Sicherheitsfaktor
 f_H Härtefaktor
 f_T Temperaturfaktor
 C_{0a} statische Tragzahl [kN]
 F_{max} maximale Axiallast [kN]

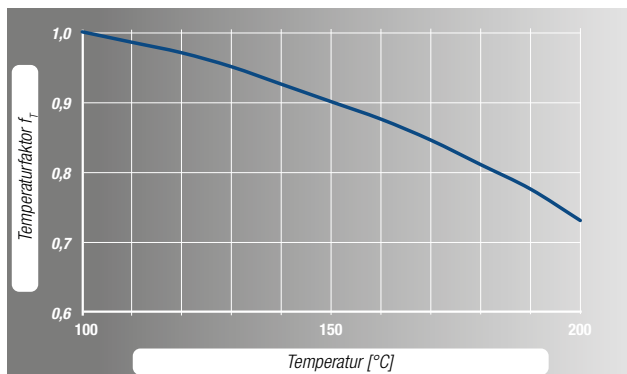


Bild 2.18 ____ Temperaturfaktor f_T

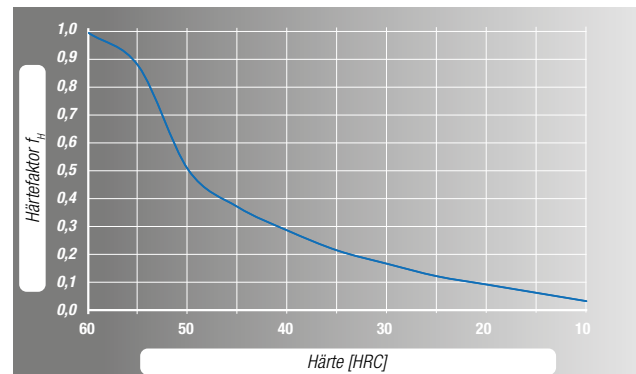


Bild 2.19 ____ Härtefaktor f_H

In Abhängigkeit von den Einsatzbedingungen sind in Tabelle 2.17 Empfehlungen für die Größe des statischen Sicherheitsfaktors zusammengefasst.

Tabelle 2.17 _ Empfohlene Werte für den statischen Sicherheitsfaktor

Einsatzbedingungen	Statischer Sicherheitsfaktor f_s
langsame Bewegungen geringe Lasten keine Vibrationen und Stöße	1,0...1,3
langsame Bewegungen geringe Lasten leichte Vibrationen und Stöße	1,2...1,7
langsame Bewegungen mittlere Lasten Vibrationen und Stöße	1,5...2,5
schnelle Bewegungen hohe Lasten Vibrationen und Stöße	2,0...4,0
schnelle Bewegungen hohe Lasten starke Vibrationen und Stöße	3,0...8,0

1.5.7 Lebensdauerberechnung

Die Laufbahnen und die Kugeln von Kugelgewindtrieben sind während des Betriebs Belastungen ausgesetzt, die zu Materialermüdung führen. Die nominelle Lebensdauer L_{10} berechnet sich entsprechend Formel 2.9 als Gesamtanzahl der Umdrehungen eines Kugelgewindtriebs, bis es zu Materialermüdung in den Laufbahnen kommt. Auch hier sind die Einflussfaktoren f_T und f_H (Kapitel 1.5.6) zu berücksichtigen. Bei der Berechnung der nominellen Lebensdauer L ist zusätzlich noch der Belastungsfaktor f_w zu berücksichtigen. Empfehlungen für den Belastungsfaktor sind in Tabelle 2.18 enthalten.

$$L_{10} = \left(\frac{f_T \times f_H}{f_w} \times \frac{C_a}{F_m} \right)^3 \times 10^6$$

[Formel 2.9]

L_{10} nominelle Lebensdauer [min^{-1}]
 f_H Härtefaktor
 f_T Temperaturfaktor
 f_w Belastungsfaktor
 C_a dynamische Tragzahl [kN]
 F_m mittlere Axiallast [kN]

Tabelle 2.18 _ Empfohlene Werte für den Belastungsfaktor f_w

Einsatzbedingungen	Geschwindigkeit [m/s]	Belastungsfaktor f_w
keine oder sehr geringe Vibrationen und Stöße	$\leq 0,25$	1,0...1,2
leichte Vibrationen und Stöße	0,25... $\leq 1,0$	1,2...1,5
mittlere Vibrationen und Stöße	1,0... $\leq 2,0$	1,5...2,0
starke Vibrationen und Stöße	$> 2,0$	2,0...3,5
Kurzhubanwendungen		3,5...5,0

Je nach Anforderung, kann die nominelle Lebensdauer L_{10} auch in Kilometer L_s , Stunden L_h oder Zyklenzahl $L_{\#}$ angegeben werden. Dazu sind die Formeln 2.10 bis 2.12 anzuwenden.

$$L_s = \frac{L_{10} \times P}{10^6}$$

[Formel 2.10]

L_s Nominelle Lebensdauer [km]
 L_{10} nominelle Lebensdauer [min^{-1}]
 P Spindelsteigung [mm]

$$L_h = \frac{L_{10}}{n_m \times 60 \times ED}$$

[Formel 2.11]

L_h Nominelle Lebensdauer [h]
 L_{10} nominelle Lebensdauer [min^{-1}]
 n_m mittlere Betriebsdrehzahl [min^{-1}]
 ED Einschaltdauer [%]

$$L_{\#} = \frac{L_{10} \times P}{2 \times s}$$

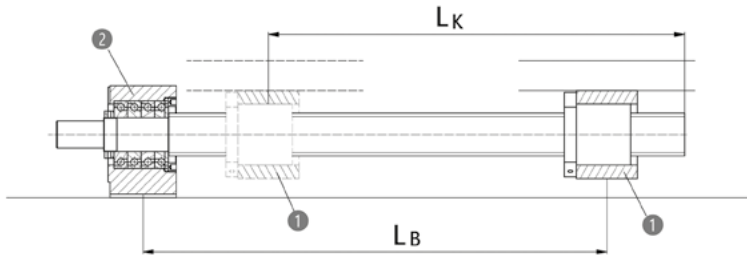
[Formel 2.12]

$L_{\#}$ Nominelle Lebensdauer [Zyklen]
 L_{10} nominelle Lebensdauer [min^{-1}]
 P Spindelsteigung [mm]
 s Verfahrweg [mm]

1.5.8 Lagerung von Kugelgewindetrieben

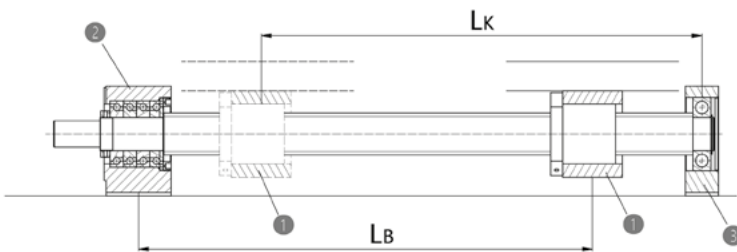
Für die Ermittlung der biegekritischen Drehzahl (Kapitel 1.5.9) und der zulässigen Knickbelastung (Kapitel 1.5.11) sind Faktoren, resultierend aus der Art der Lagerung der Kugelgewindetriebe, anzuwenden.

Für beide Kriterien ist die jeweilige freie Spindellänge entsprechend Bild 2.20 bis 2.23 wichtig.



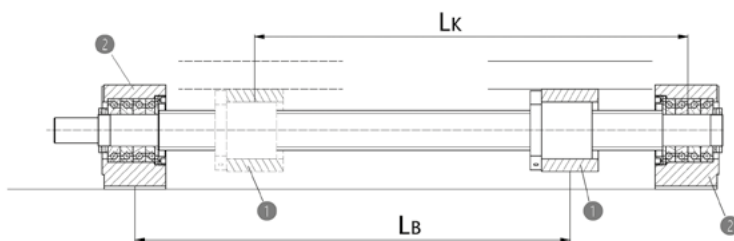
- ① Spindelmutter
- ② Festlager
- L_B Freie Spindellänge für Knickbelastung
- L_K Freie Spindellänge für kritische Drehzahl

Bild 2.20 Lagerung Fest - frei



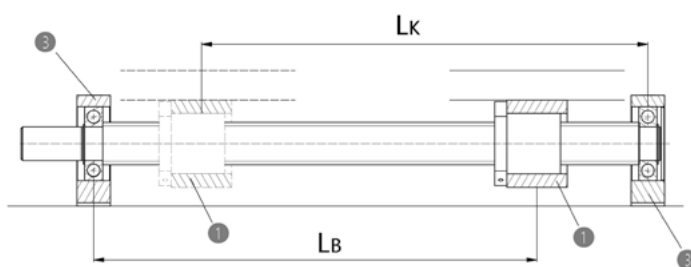
- ① Spindelmutter
- ② Festlager
- ③ Loslager
- L_B Freie Spindellänge für Knickbelastung
- L_K Freie Spindellänge für kritische Drehzahl

Bild 2.21 Lagerung Fest - los



- ① Spindelmutter
- ② Festlager
- L_B Freie Spindellänge für Knickbelastung
- L_K Freie Spindellänge für kritische Drehzahl

Bild 2.22 Lagerung Fest - fest



- ① Spindelmutter
- ③ Loslager
- L_B Freie Spindellänge für Knickbelastung
- L_K Freie Spindellänge für kritische Drehzahl

Bild 2.23 Lagerung Los - los

1.5.9 Biegekritische Drehzahl

Rotierende Kugelgewindetriebe erreichen mit zunehmender Drehzahl ihre Eigenfrequenz, die dadurch Resonanzschwingungen hervorrufen, die die Funktion des Kugelgewindetriebs beeinträchtigen oder diesen zerstören. Diese Drehzahl wird biegekritische Drehzahl genannt. Als maximal zulässige Drehzahl wird 80% der kritischen Drehzahl empfohlen. Diese biegekritische Drehzahl kann nach den Formeln 2.13 und 2.14 und die maximal zulässige Betriebsdrehzahl nach der Formel 2.15 berechnet werden. Die Einflussfaktoren der Lagerungsarten sind in Tabelle 2.18 zusammengefasst.

$$n_k = \frac{60 \times \lambda^2}{2 \times \pi \times l_k^2} \times \sqrt{\frac{E \times I \times 10^3}{\rho \times A}}$$

[Formel 2.13]

$$n_k \sim f \times \frac{d_2}{l_k^2} \times 10^7$$

[Formel 2.14]

$$n_{kzul} = 0,8 \times n_k$$

[Formel 2.15]

$$I = \frac{\pi}{64} \times d_2^4$$

[Formel 2.16]

$$A = \frac{\pi}{4} \times d_2^2$$

[Formel 2.17]

- n_k Biegekritische Drehzahl [min⁻¹]
- n_{kzul} Maximal zulässige Betriebsdrehzahl [min⁻¹]
- λ, f Faktoren für Lagerungsart
- l_k Freie Spindellänge [mm]
- E Elastizitätsmodul [2,06 x 10⁶ Nmm⁻²]
- I Flächenträgheitsmoment (Formel 2.16) [mm⁴]
- ρ spezifische Materialdichte [7,6 x 10⁻⁶ kgmm⁻³]
- A Spindelquerschnitt [mm²]
- d_2 Spindelkerndurchmesser [mm]

Tabelle 2.19 _ Einflussfaktoren der Lagerungsart für die biegekritische Drehzahl

Lagerungsart	λ	f
fest - frei	1,875	4,250
fest - los	3,927	18,875
fest - fest	4,730	23,375
los - los	3,140	12,125

1.5.10 DN - Wert

Neben der biegekritischen Drehzahl wird die maximal zulässige Drehzahl eines Kugelgewindetriebs durch den DN – Wert begrenzt. Der zulässige DN – Wert wird hauptsächlich durch das Umlenksystem der Muttern bestimmt. Die Berechnung des DN – Wertes erfolgt nach Formel 2.18.

$$DN = d_{pw} \times n$$

[Formel 2.18]

- DN Drehzahlkennwert [mm min⁻¹]
- d_{pw} Kugelmittendurchmesser [mm]
- n Betriebsdrehzahl [min⁻¹]

1.5.11 Knickbelastung

Kugelgewindetriebe, die hohen Axialbelastungen ausgesetzt sind, besonders bei vertikalen Anwendungen mit unten angeordneten Festlagern, müssen so dimensioniert werden, dass eine Knickung ausgeschlossen ist. Als maximal zulässige Axialbelastung wird 50% der theoretisch möglichen Axialbelastung empfohlen. Die Berechnung der theoretisch möglichen Axialbelastung erfolgt nach den Formeln 2.19 und 2.20 und die maximal zulässige Axiallast nach der Formel 2.21. Die Einflussfaktoren der Lagerungsarten sind in Tabelle 2.19 zusammengefasst.

$$F_k = \frac{N \times \pi^2 \times E \times I}{10^3 \times l_k^2}$$

[Formel 2.19]

F_k Theoretisch mögliche axiale Belastung [kN]

F_{kzul} Maximal zulässige axiale Belastung [kN]

N, m Faktoren für Lagerungsart

l_k ungestützte Spindellänge [mm]

E Elastizitätsmodul [$2,06 \times 10^5$ Nmm⁻²]

I Flächenträgheitsmoment (Formel 216) [mm⁴]

d_2 Spindelkerndurchmesser [mm]

$$F_k \sim \frac{m \times d_2^4}{l_k^2} \times 10$$

[Formel 2.20]

$$F_{kzul} = 0,5 \times F_k$$

[Formel 2.21]

Tabelle 2.20 _ Einflussfaktoren der Lagerungsart für die Knickbelastung

Lagerungsart	N	m
fest - frei	0,25	2,4
fest - los	2,00	20,4
fest - fest	4,00	40,6
los - los	1,00	10,2

1.5.12 Zug – Druck - Belastungen

Neben der Knickbelastung müssen Kugelgewindetriebe auch auf Zug – Druck – Belastung geprüft werden.

Die zulässige Zug – Druck – Belastung berechnet sich nach der Formel 2.22.

$$F_z = \frac{\delta \times \pi \times d_2^2}{4} = 116 \times d_2^2$$

[Formel 2.22]

F_z Zulässige Zug-Druck-Belastung [N]

δ_s Zulässige Zug-Druck-Spannung [147 Nmm⁻²]

d_2 Spindelkerndurchmesser [mm]

1.5.13 Positioniergenauigkeit

Die Positioniergenauigkeit einer Anwendung wird durch die Summe der Fehler, resultierend aus dem Kugelgewindetrieb und der Umgebungskonstruktion, bestimmt.

Aus dem Kugelgewindetrieb ergeben sich folgende Fehler:

- Steigungsfehler
- Axiale Steifigkeit
- Axialspiel
- Thermische Ausdehnung

Steigungsfehler

Der Steigungsfehler ist ein nach DIN ISO3408-3 spezifizierter Wert. Entsprechend der Angaben in Kapitel 1.5.1 ist der für die Anwendung passende Kugelgewindetrieb festzulegen.

Axiale Steifigkeit der Spindel

Unter Lasteinwirkung beeinflusst die axiale Steifigkeit direkt die Positioniergenauigkeit. Die axiale Steifigkeit eines Kugelgewindetriebs ist abhängig von der Position der Mutter innerhalb des Verfahrenswegs. Der resultierende Fehler ergibt sich aus der Differenz der Steifigkeitswerte in den beiden Endlagen nach Formel 2.23. Die Steifigkeitswerte für die beiden Endlagen berechnen sich in Abhängigkeit der Art der Lagerung wie in Kapitel 1.5.5 beschrieben.

$$e_s = \left| \frac{F_a}{K_{S1}} - \frac{F_a}{K_{S2}} \right|$$

[Formel 2.23]

e_s	Positionierfehler aus axialer Steifigkeit der Spindel [μm]
F_a	Axialkraft [N]
K_{S1}	Axiale Steifigkeit der Spindel in Endlage 1 [N/ μm]
K_{S2}	Axiale Steifigkeit der Spindel in Endlage 2 [N/ μm]

Axialspiel des Kugelgewindetriebs

Axialspiel beeinflusst die Positioniergenauigkeit bei gleichmäßiger Bewegung in eine Richtung nicht.

Bei Änderung der Lastrichtung oder Umkehr der Bewegungsrichtung wird durch das Umkehrspiel ein Positionierfehler hervorgerufen. Aus diesem Grund muss der Kugelgewindetrieb passend zur Anwendung mit Axialspiel, ohne Axialspiel oder mit Vorspannung ausgewählt werden. Angaben hierzu sind in Kapitel 5.1.4 enthalten.

Thermische Ausdehnung

Temperaturänderungen während des Betriebs von Kugelgewindetrieben führen zu Ausdehnung oder Verkürzung der Gewindespindel, was die Positioniergenauigkeit verändert. Besonders bei hohen Drehzahlen kommt es zu einer Erwärmung des Kugelgewindetriebs. Bestehen sehr hohe Anforderungen an die Positioniergenauigkeit, müssen Maßnahmen zur Reduzierung der Wärmeentwicklung getroffen werden. Folgende Maßnahmen sind hier möglich:

- Vorspannung so gering wie möglich auswählen
- Verringerung der Drehzahl durch Auswahl einer größeren Spindelsteigung
- Geeignete Schmiermittel
- Kühlung des Kugelgewindetriebs durch Luft oder Schmiermittel

Die thermische Längenänderung einer Gewindespindel lässt sich mit Formel 2.24 bestimmen.

$$\Delta L = \alpha \times \Delta T \times L$$

[Formel 2.24]

ΔL	Längenänderung der Spindel [μm]
α	Thermischer Ausdehnungskoeffizient [$12 \times 10^{-3} / ^\circ\text{C}$]
ΔT	Temperaturänderung [$^\circ\text{C}$]
L	Effektive Gewindelänge [mm]

Umgebungskonstruktion

Um die Positioniergenauigkeit eines Kraftangriffspunktes einer Anwendung zu bestimmen, muss zusätzlich zu dem axialen Fehler, der aus dem Kugelgewindetrieb resultiert, auch das horizontale und vertikale Verkippen der Umgebungskonstruktion betrachtet werden. Dabei sind die sich ergebenden Winkelfehler auf den Kraftangriffspunkt zu projizieren.

1.5.14 Antriebsleistung

Das notwendige Antriebsmoment eines Spindeltriebs für die Umwandlung von Dreh- in Linearbewegung lässt sich mit Formel [2.25] berechnen. Durch eine wirkende Axialkraft kann auch eine Linearbewegung erzeugt werden, die durch den Spindeltrieb in eine Drehbewegung umgewandelt wird. Das erzeugte Abtriebsmoment wird nach Formel [2.26] berechnet. Der entsprechende Wirkungsgrad kann aus den Diagrammen in Bild 7 und Bild 8 in Katalog-Kapitel 1.3.1 entnommen werden. Der Steigungswinkel wird nach Formel [2.27] berechnet.

$$T_a = \frac{F_a \times P}{2\pi \times \eta_1}$$

[Formel 2.25]

$$T_e = \frac{F_a \times P \times \eta_2}{2\pi}$$

[Formel 2.26]

$$\tan \beta = \frac{P}{\pi \times d_{pw}}$$

[Formel 2.27]

T_a	Antriebsmoment [Nm]
T_e	Abtriebsmoment [Nm]
F_a	Axialkraft [kN]
P	Steigung [mm]
η	Wirkungsgrad
η_1	Wirkungsgrad bei Umwandlung von Dreh- in Linearbewegung
η_2	Wirkungsgrad bei Umwandlung von Linear- in Drehbewegung
β	Steigungswinkel [°]
d_{pw}	Kugelmittendurchmesser [mm]

Die hier berechneten Antriebs- und Abtriebsmomente beziehen sich nur auf den Kugelgewindetrieb. Für die exakte Berechnung des Antriebs- bzw. Abtriebsmoments müssen weitere Einflussfaktoren einbezogen werden. Diese Einflussfaktoren sind die Reibwerte der Lagereinheiten, die Massenträgheitsmomente und das Leerlaufdrehmoment resultierend aus den Dichtungen und der Vorspannung.

2. Montage

2.1 Transport und Lagerung

Kugelgewindetriebe sind hochwertige Maschinenelemente und müssen entsprechend vorsichtig behandelt werden. Um Beschädigungen und Verschmutzung zu vermeiden, sollten sie bis zum Einbau in der Schutzfolie verbleiben. Für eine längere Lagerung empfehlen wir, die Produkte in der NTN-SNR - Transportverpackung zu belassen, um eine Durchbiegung des Kugelgewindetriebs oder radiale Belastungen der Mutter zu vermeiden.

Zur Handhabung längerer und schwerer Kugelgewindetriebe sind geeignete und geprüfte Hebezeug zu verwenden. Über die Länge des Kugelgewindetriebs sollten mehrere Stützstellen (Bild 3.1) vorhanden sein, um die Durchbiegung zu begrenzen.

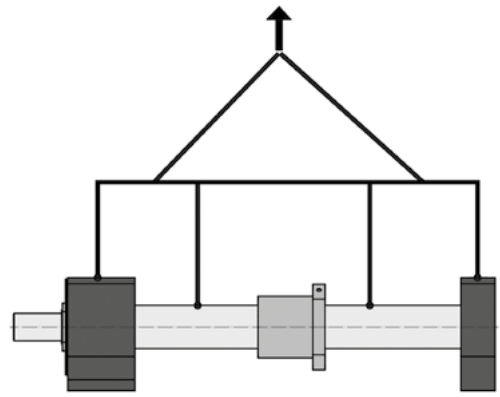


Bild 3.1 _____ Transport von Kugelgewindetriebe

Beim Transport sind die Kugelgewindemuttern z.B. durch Kabelbinder (Bild 3.2) zu sichern, um zu verhindern, dass diese sich selbstständig in Bewegung setzen.

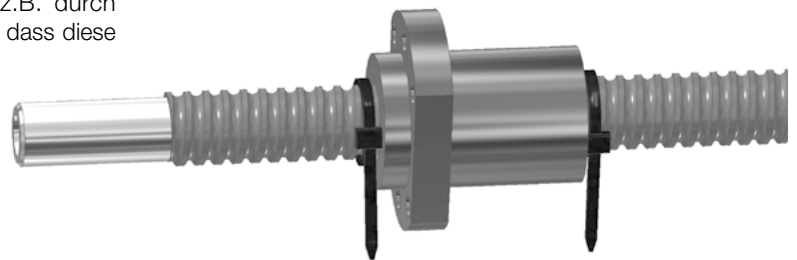


Bild 3.2 _____ Sicherung von Kugelgewindemuttern

2.2 Montagetoleranzen

Konstruktionshinweise

Bei Kugelgewindetriebe handelt es sich um hochwertige Maschinenelemente, die einen erheblichen Einfluss auf die Genauigkeit und Lebensdauer des Gesamtsystems haben.

Umgebungskonstruktion und Einbautoleranzen

Kugelgewindetriebe sind **ausschließlich** für die Übertragung von Axialkräften geeignet. Radialkräfte und Momente (z. B. durch verkanteten Einbau) stellen undefinierte Belastungen dar und führen zum vorzeitigen Ausfall (Bild 3.3).

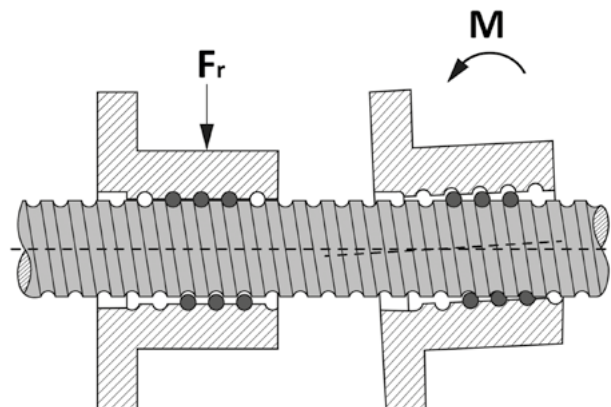


Bild 3.3 _____ Unzulässige Belastungen von Kugelgewindetriebe

Prinzipiell gilt der Grundsatz: Je höher die Genauigkeit und die Vorspannung des Kugelgewindetriebs, desto genauer muss auch die Umgebungskonstruktion gefertigt sein.

Dies gilt vor allem für Anwendungen, bei denen die Mutter bis an die Endlagerung verfahren wird, da in diesem Bereich die Gefahr von Verspannungen und somit zusätzlichen Belastungen sehr groß ist.

Montagetoleranzen

Bei der Verwendung von Kugelgewindetrieiben sind folgende Montagetoleranzen entsprechend Bild 3.4 vorgegeben:

- Rechtwinkligkeit der Anschlusskonstruktion zur Spindelachse
- Höhenversatz ΔH der Lagerungen zueinander
- Seitenversatz ΔA der Lagerungen zueinander

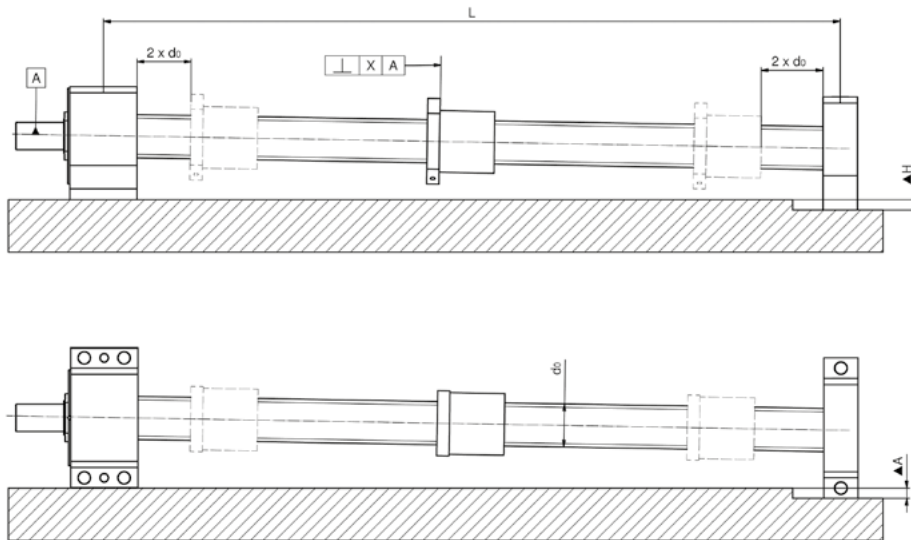


Bild 3.4 _____ Definition der Montagetoleranzen von Kugelgewindetrieiben

Das Diagramm in Bild 3.5 zeigt die empfohlenen Einbautoleranzen für Kugelgewindetrieibe in Abhängigkeit von der Länge und der Vorspannklasse. Bei der Gestaltung der Umgebungskonstruktion sind diese Toleranzen einzuhalten. Die Werte gelten bei einem Mindestabstand zwischen der Mutter und der Lagerung von $\geq 2x$ Nenndurchmesser d_0 der Spindel.

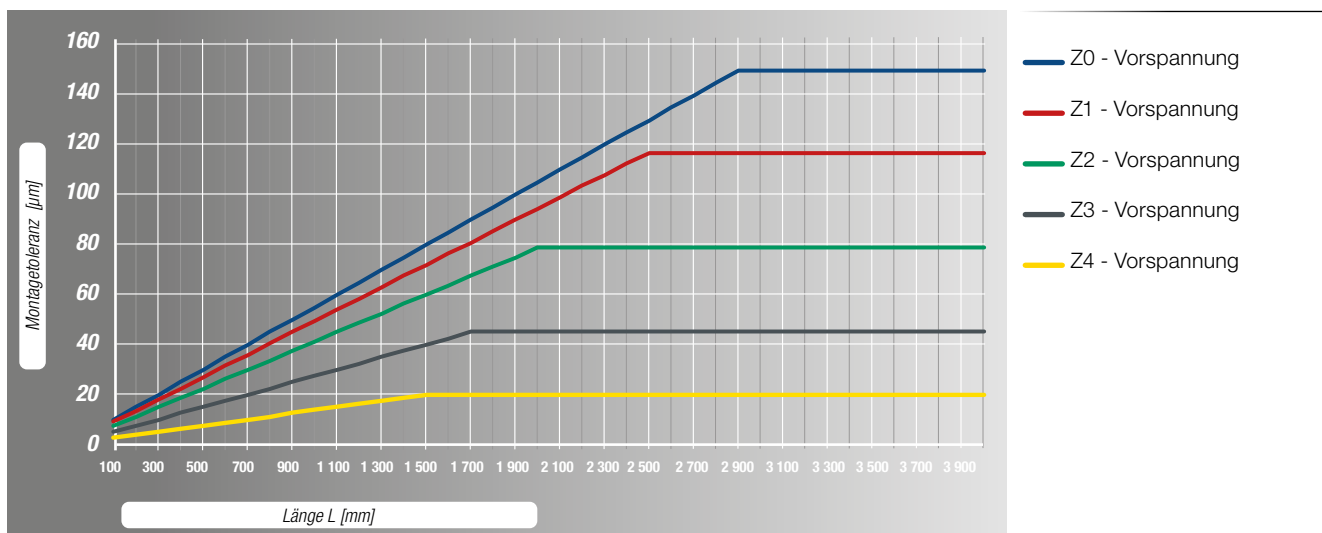


Bild 3.5 _____ Montagetoleranzen von Kugelgewindetrieiben

2.3 Montageanleitung

2.3.1 Montage von Kugelgewindemuttern

SNR - Kugelgewinde sollten möglichst mit auf der Spindel montierter Mutter und inkl. Endenbearbeitung geliefert werden, um eine Montage vor Ort zu vermeiden.

Separat gelieferte Spindeln und Muttern haben keine definierte Vorspannung bzw. kein definiertes Axialspiel. Dieses muss bei der Montage durch Kugelselektion angepasst werden, was kundenseitig in der Regel nicht möglich ist.

Separate Muttern von Kugelgewindetrieben werden auf Montagehülsen mit Kabelbindern gesichert (Bild 3.6) geliefert.

Kugelgewindetriebmuttern dürfen nur von Personen montiert werden, die hiermit vertraut sind. Für die Arbeiten sind geeignete Werkzeuge und Hilfsmittel zu verwenden (Bild 3.7).

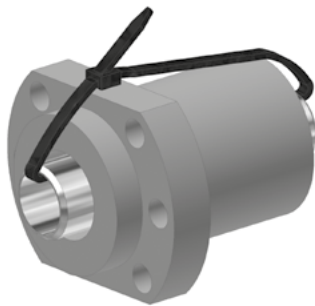


Bild 3.6 _____ Separate Muttern von Kugelgewindetrieben

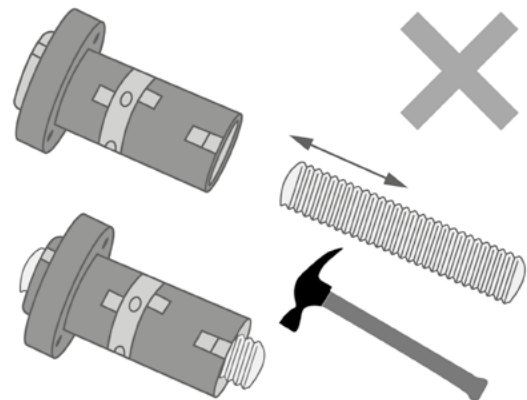


Bild 3.7 _____ Fehler bei der Montage von Kugelgewindemuttern

Bei der Montage von Kugelgewindemuttern ist entsprechend nachfolgender Schritte (Bild 3.8) vorzugehen:

Den Kabelbinder, der die Montagehülse ③ in der Mutter ① hält, entfernen.



Nach Entfernen des Kabelbinders ist darauf zu achten, dass die Mutter nicht über das Ende der Montagehülse hinausragt – Gefahr von Kugelverlust!

Bei Doppelmuttern ist darauf zu achten, dass die Mutterhälften nicht voneinander getrennt werden!

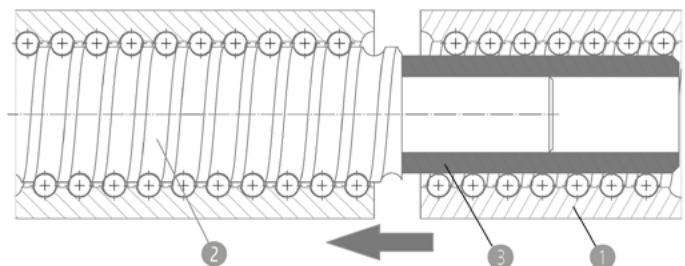


Bild 3.8 _____ Montage von Kugelgewindemuttern

- Die Montagehülse ③ mit der Mutter ① über eine Endenbearbeitung bis an den Anfang des Gewindes schieben. Die Montagehülse ③ muss axial komplett anliegen und konzentrisch ausgerichtet sein.
- Die Mutter ① mit leichtem axialem Druck auf die Spindel ② drehen. Sollte ein Widerstand spürbar werden, die Mutter wieder zurückdrehen und den Vorgang wiederholen.
- Die Montagehülse ③ darf erst entfernt werden, wenn die Mutter ① sich vollständig auf dem Spindelgewinde ② befindet.

Sind nachträglich kundenseitige Bearbeitungen an der Spindel unumgänglich, muss die Mutter vorher von der Spindel demontiert werden. Hierfür ist die Original - Montagehülse zu verwenden. Die oben beschriebenen Arbeitsschritte haben, in umgekehrter Reihenfolge zu erfolgen. Ist keine Montagehülse vorhanden, kann eine Alternative hergestellt werden. Der Außendurchmesser der Hülse sollte ca. 0,1 mm kleiner als der Kerndurchmesser der Spindel sein.

Die Spindel sollte nach der Bearbeitung gerichtet bzw. auf Form- und Lagetoleranzen (Kapitel 1.5.2) geprüft werden.

2.3.2 Montage von Festlagern

Bei der Montage der Lagerung eines Kugelgewindetriebs auf den Lagerzapfen der Spindel darf die Montagebelastung ausschließlich über den Innenring aufgebracht werden. Bei einer Spielpassung oder geringer Übergangspassung kann das Lager manuell aufgeschoben werden. Ist das tatsächliche Übermaß zu groß, empfehlen wir, geeignetes Montagewerkzeug wie z. B. den SNR – Montagekoffer oder manuelle bzw. hydraulische Pressen zu verwenden. Hierbei kann ein geringfügiges Erwärmen der Lagerung hilfreich sein.

Die Kugelgewindespindel muss zur Montage fest eingespannt werden. Kürzere Kugelgewindetriebe können senkrecht montiert werden, bei längeren ist nur eine waagerechte Montage möglich.

Die Entfernung von Konservierungsmitteln auf den Oberflächen von Lagerungen und Spindeln ist in der Regel nicht erforderlich.

2.3.2.1 Montage von BST - Lagern

Bei den NTN - Lagern für Kugelgewindetriebe der Baureihe BST handelt es sich um Axialschrägkugellager. Um die Einbaulage leicht erkennen zu können, sind diese Lager mit zwei unterschiedlich farbigen Dichtungen ausgestattet. Liegen die schwarzen Dichtungen auf den Außenseiten, besitzen die Lager eine DB – Anordnung. Die zur Montage notwendige Präzisionsmutter ist nicht im Lieferumfang enthalten. Wir empfehlen den Einsatz von Präzisionsmutter Typ PRS (Katalog-Kapitel 6.1.1.5).

Bei der Montage ist entsprechend nachfolgender Schritte (Bild 3.9) vorzugehen:

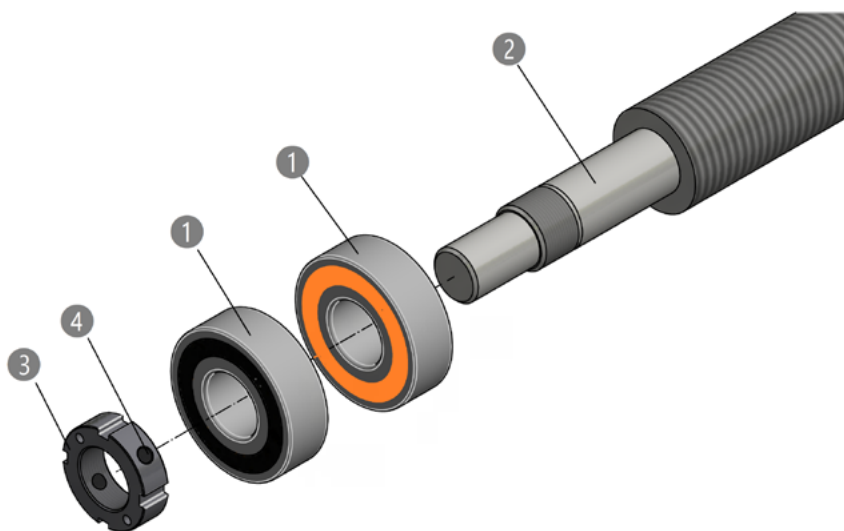


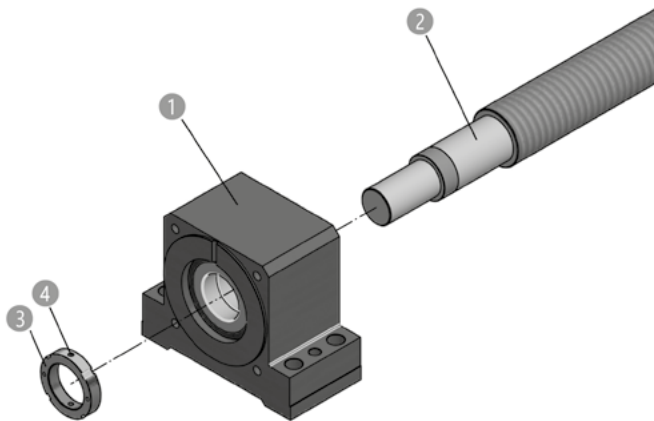
Bild 3.9 _____ Montage von Axialschrägkugellager BST

- Die BST - Lager ① manuell mit leichtem axialem Druck oder mit einem Montagewerkzeug auf das Spindelende ② schieben. Dabei ist auf die richtige Anordnung der Lager zu achten.
- Die Präzisionsmutter PRS ③ mit der geschliffenen Fläche voran auf das Befestigungsgewinde aufdrehen und über die radialen Nuten mit dem in Katalog-Kapitel 6.1.1.5, Tabelle 6.13 angegebenen Moment M_a anziehen.
- Zur Sicherung der Präzisionsmutter ③, die radialen Gewindestifte ④ mit dem in Katalog-Kapitel 6.1.1.5, Tabelle 6.13 angegebenen Moment M_{bl} anziehen.

2.3.2.2 Montage von BSTK - Festlagereinheiten

Diese Lagereinheiten BSTK werden be fettet und montiert geliefert. Lediglich die Präzisionsmutter PRS zur axialen Sicherung auf der Spindel liegt lose bei. Die Lagereinheiten sollten auch nicht weiter demontiert werden.

Bei der Montage der Lagereinheiten BSTK ist entsprechend nachfolgender Schritte (Bild 3.10) vorzugehen:



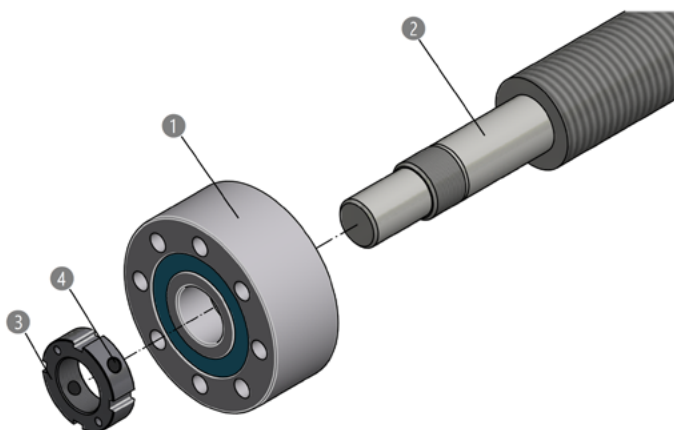
- Die Lagereinheit **1** mit dem Gewinding zum Kugelgewindetrieb gerichtet **2** auf den Lagersitz aufschieben, bis der Innenring des Wälzlagers komplett an der Wellenschulter anliegt, ggf. mit geeignetem Montagewerkzeug aufpressen.
- Die Präzisionsmutter **3** mit der geschliffenen Fläche voran auf das Befestigungsgewinde aufdrehen und über die radialen Nuten mit dem in Katalog-Kapitel 6.1.1.5, Tabelle 6.13 angegebenen Moment M_a anziehen.
- Zur Sicherung der Präzisionsmutter **3**, die radialen Gewindestifte **4** mit dem in Katalog-Kapitel 6.1.1.5, Tabelle 6.13 angegebenen Moment M_{bl} anziehen.

Bild 3.10 ____ Montage von Lagereinheiten BSTK

2.3.2.3 Montage von BSTU - Festlagereinheiten

Bei den NTN - Lagern der Baureihe BSTU handelt es sich um speziell für Kugelgewindetriebe entwickelte zweireihige Axialschräggugellager bei denen die Außenringe zweier Axialschräggugellager zu einer Einheit vereint sind, die die Montagebohrungen enthält. Die zur Montage notwendige Präzisionsmutter ist nicht im Lieferumfang enthalten. Wir empfehlen den Einsatz von Präzisionsmutter Typ PRS (Katalog-Kapitel 6.1.1.5).

Bei der Montage der BSTU - Lager ist entsprechend nachfolgender Schritte (Bild 3.11) vorzugehen:



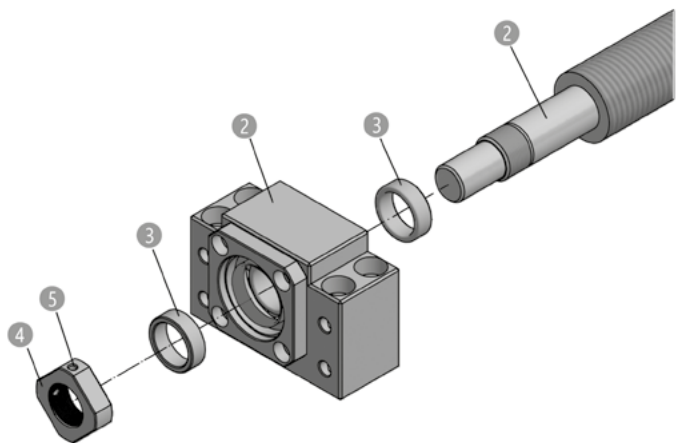
- Die BSTU - Lager **1** auf den Lagersitz des Kugelgewindetriebs **2** aufschieben bis der Innenring des Wälzlagers komplett an der Wellenschulter anliegt, ggf. mit geeignetem Montagewerkzeug aufpressen.
- Die Präzisionsmutter **3** mit der geschliffenen Fläche voran auf das Befestigungsgewinde aufdrehen und über die radialen Nuten mit dem in Katalog-Kapitel 6.1.1.5, Tabelle 6.13 angegebenen Moment M_a anziehen.
- Zur Sicherung der Präzisionsmutter **3**, die radialen Gewindestifte **4** mit dem in Katalog-Kapitel 6.1.1.5, Tabelle 6.13 angegebenen Moment M_{bl} anziehen.

Bild 3.11 ____ Montage von Lagereinheiten BSTU

2.3.2.4 Montage von BK -, EK- und FK- Festlagereinheiten

Die Lagereinheiten BK, EK und FK werden befettet und montiert geliefert. Lediglich die Präzisionsmutter PRN zur axialen Sicherung auf der Spindel sowie 2 Distanzringe liegen lose bei. Die Lagereinheiten sollten auch nicht weiter demontiert werden.

Bei der Montage der Lagereinheiten BK, EK und FK ist entsprechend nachfolgender Schritte (Bild 3.12) vorzugehen:



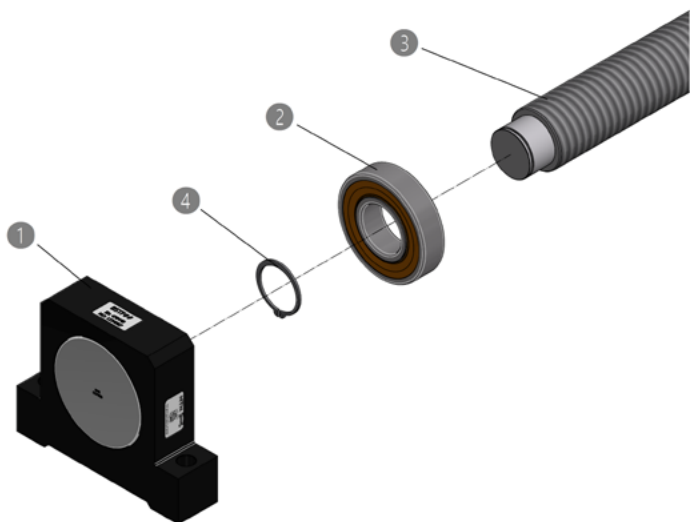
- Distanzringe **3** leicht einölen und vorsichtig seitlich in die Bohrung der Dichtungen der Lagereinheiten **1** einsetzen, ohne die Dichtlippen zu beschädigen.
- Die Lagereinheit BK und EK **1** mit dem Deckel nach außen auf den Lagersitz des Kugelgewindetriebs **2** aufschieben, bis die innere Distanzhülse komplett an der Wellenschulter anliegt, ggf. mit geeignetem Montagewerkzeug aufpressen. Die Lagereinheiten FK sind in der gewünschten Einbaulage auf den Lagersitz des Kugelgewindetriebs **2** aufzuschieben. Dabei darf die Kraft ausschließlich über den äußeren Distanzring **3** aufgebracht werden.
- Die Präzisionsmutter PRN **4** mit der geschliffenen Fläche voran auf das Befestigungsgewinde aufdrehen und mit dem in Katalog-Kapitel 6.1.2.5, Tabelle 6.20 angegebenen Moment M_a anziehen.
- Zur Sicherung der Präzisionsmutter **4**, die radialen Gewindestifte **5** mit dem in Katalog-Kapitel 6.1.2.5, Tabelle 6.20 angegebenen Moment M_{gr} anziehen.

Bild 3.12 ____ Montage von Lagereinheiten BK, EK und FK

2.3.3 Montage von Loslagern und Loslagereinheiten

Loslagereinheiten BSTF, BF, EF und FF werden befettet und montiert geliefert. Lediglich der Sicherungsring liegt lose bei.

Bei der Montage der Lagereinheiten BSTF, BF, EF und FF ist entsprechend nachfolgender Schritte (Bild 3.13) vorzugehen:



- Rillenkugellager **2** aus dem Gehäuse **1** entnehmen.
- Das Rillenkugellager **2** auf den Lagersitz des Kugelgewindetriebs **3** aufschieben, bis es komplett an der Wellenschulter anliegt, ggf. mit geeignetem Montagewerkzeug aufpressen. Dabei darf die Kraft ausschließlich über den Lagerinnenring eingebracht werden.
- Den Sicherungsring **4** in der entsprechenden Nut im Lagersitz montieren.
- Gehäuse **1** über den Außenring der Rillenkugellagers **2** schieben. Dies muss sich ohne übermäßiges Radialspiel leicht axial verschieben lassen.

Bild 3.13 ____ Montage von Lagereinheiten BSTF, BF, EF und FF

2.3.4 Montage von Kugelgewindetrieben in Maschinen

Bei der Montage von Kugelgewindetrieben in Maschinen sind folgende Grundregeln zu beachten:

- Bei langen Spindeln sind die Hinweise aus Kapitel 2.1 zu beachten.
- Alle Montageflächen der Anschlusskonstruktion müssen gratfrei und sauber sein.
- Bei der Montage muss der Kugelgewindetrieb parallel zu den vorhandenen Führungen ausgerichtet werden. Hierbei sind die Einbautoleranzen im Kapitel 2.2 zu beachten.

Wir empfehlen folgende Montagereihenfolge:

- ▶ Fest- und Loslagerung sowie die Mutter ausrichten und leicht fixieren.
- ▶ Schlitten so weit wie möglich zum Festlager verfahren und erst das Festlager am Maschinenbett, danach die Mutter am Schlitten verschrauben.
- ▶ Schlitten so weit wie möglich zum Loslager verfahren und erst dann am Maschinenbett verschrauben.
- ▶ Je nach konstruktivem Aufbau kann eine abweichende Montagereihenfolge notwendig sein.
- ▶ Ist es notwendig, die Mutter von der Spindel zu demontieren, ist eine Montagehülse zu verwenden, um Kugelverlust zu vermeiden. Diese Demontage darf nur von qualifizierten Fachkräften unter Berücksichtigung der Hinweise in Kapitel 2.3.2 durchgeführt werden.
- ▶ Bei allen Schraubverbindungen dürfen die für die jeweilige Materialpaarung zulässigen Anzugsdrehmomente nicht überschritten werden.
- ▶ Ist das Drehmoment nach der Montage über den gesamten Hub gleichbleibend und innerhalb der zulässigen Grenzwerte gemäß Kapitel 1.5.3, ist der Kugelgewindetrieb exakt ausgerichtet. Treten Abweichungen auf, kann durch nochmaliges Ausrichten in den Endlagen eine Optimierung erreicht werden.
- ▶ Separat gelieferte Muttern besitzen keine Erstbefettung und müssen vor der ersten Inbetriebnahme entsprechend den Angaben in Kapitel 3.5 be fettet werden.
- ▶ Bei komplett montierten Kugelgewindetrieben empfehlen wir vor Inbetriebnahme eine Schmierung mit der für die Nachschmierung in Kapitel 3.5 angegebenen Menge.

3. Wartung und Schmierung

3.1 Allgemeine Informationen



Achtung!

Alle Wartungs- und Servicearbeiten an der Kugelgewindetrieben müssen im ausgeschalteten und gesicherten Zustand erfolgen.

3.2 Schmierung

Für die zuverlässige Funktion von Kugelgewindetrieben ist eine ausreichende Schmierung unerlässlich.

Die Schmierung soll einen Schmierfilm (Ölfilm) zwischen den Wälzkörpern und den Laufbahnen der Führungs- und Antriebselemente sicherstellen, um Verschleiß und die vorzeitige Ermüdung der Bauteile zu verhindern.

Darüber hinaus werden die metallischen Oberflächen vor Korrosion geschützt. Weiterhin ermöglicht der Schmierfilm ein ruckfreies Gleiten der Dichtungen über die Oberflächen und mindert ebenso deren Verschleiß.

Eine unzureichende Schmierung erhöht nicht nur den Verschleiß, sie verkürzt zudem erheblich die Lebensdauer.

Eine optimale Auswahl des Schmiermittels hat entscheidenden Einfluss auf die Funktion und die Lebensdauer der Kugelgewindetriebe. Damit die Funktion nicht beeinträchtigt wird und über einen langen Zeitraum erhalten bleibt, ist eine Schmierung entsprechend den Umgebungsbedingungen und den spezifischen Anforderungen zu definieren.

Derartige Umgebungsbedingungen und Einflussfaktoren können z.B. sein:

- Hohe bzw. tiefe Temperaturen
- Kondens- und Spritzwassereinwirkungen
- Strahlungsbelastungen
- Hohe Schwingungsbeanspruchungen
- Einsatz im Vakuum und/oder Reinräumen
- Beaufschlagung von speziellen Medien (z.B. Dämpfe, Säuren etc.)
- Hohe Beschleunigungen und Geschwindigkeiten
- Andauernde kurze Hubbewegungen (< 2 x Mutternlänge)
- Schmutz- bzw. Staubeinwirkung

Die Empfehlungen in den nachfolgenden Kapiteln ermöglichen die Auswahl des geeigneten Schmierstoffs, der notwendigen Schmierstoffmenge und die Festlegung des Schmierintervalls.

Diese Empfehlungen entbinden den Anwender nicht davon, die festgelegten Schmierintervalle unter den konkreten Einsatzbedingungen in der Anwendung zu überprüfen und gegebenenfalls anzupassen.

3.3 Schmierstoffe

Für die Schmierung der Kugelgewindetriebe sind unterschiedliche Schmierstoffe geeignet.

Die Schmierstoffe haben hierbei folgende Aufgaben:

- Verminderung der Reibung
- Verringerung des Anlaufmomentes
- Schutz gegen vorzeitigen Verschleiß
- Schutz gegen Korrosion
- Geräuschkämpfung

Für den Einsatz unter normalen Bedingungen sind Lithiumseifenfette mit der Kennzeichnung KP2-K nach DIN 51825 und der NLGI – Klasse 2 nach DIN 51818 mit EP-Zusätzen einzusetzen. Als Standardfett wird SNR LUB HEAVY DUTY verwendet.



Achtung!

Fette mit Festschmierstoffanteil (z.B. Graphit oder MoS₂) dürfen nicht verwendet werden.

Spezifische Anforderungen unter besonderen Umgebungsbedingungen erfordern die Auswahl eines entsprechend geeigneten Schmierfettes. Grundsätzlich ist hier die Verträglichkeit der Schmierstoffe untereinander bzw. mit dem Konservierungsmittel zu prüfen.

3.3.1 Konservierungsöle

Konservierungsöle dienen zum Schutz der Kugelgewindetriebe gegen Korrosion bei Lagerung und Transport. Sie sind nicht zur Schmierung der Kugelgewindetriebe im Betrieb geeignet.

Bei der Inbetriebnahme und der Nachschmierung ist grundsätzlich die Verträglichkeit mit dem vorhandenem Schmiermittel zu prüfen. SNR – Kugelgewindetriebe werden mit dem Konservierungsöl Contrakor Fluid H1 ausgeliefert. Contrakor Fluid H1 ist mit dem Standardschmierstoff SNR LUB HEAVY DUTY verträglich. Nach Vereinbarung kann für besondere Anwendungen mit Spezialschmierstoffen auf die Konservierung verzichtet werden.

3.3.2 Schmieröle

Ölschmierung wird in der Regel bei dem Einsatz von Zentralschmieranlagen verwendet. Der Vorteil einer automatischen Öl-Zentralschmierung ist die bedienerunabhängige und kontinuierliche Schmierstoffversorgung des Kugelgewindetriebs. Schmieröle sorgen darüber hinaus auch für eine sehr gute Ableitung der Reibungswärme. Demgegenüber steht der sehr hohe konstruktive und Montageaufwand für die Schmierleitungen. Auch treten Schmieröle leichter aus dem Kugelgewindetrieb aus und gehen dem System verloren. Gekippte oder vertikale Anordnungen, bei denen der Schmieranschluss der Spindelmutter unten liegt, sind kritisch und sollten vermieden werden.

Für den Einsatz in SNR – Kugelgewindetrieben sind geeignete Schmieröle in Tabelle 4.1 zusammengefasst.

Tabelle 4.1 __ Schmieröle für Kugelgewindetriebe

Bezeichnung	Ölart	kinematische Viskosität DIN51562 bei 40°C [mm ² /s]	Dichte [mg/cm ³]	Eigenschaften	Einsatzbereich
Klüberoil GEM 1-100N	Mineralöl	100	880	<ul style="list-style-type: none"> · guter Korrosionsschutz · guter Verschleißschutz 	· allgemeiner Maschinenbau
Klüberoil 4 UH1-68N	Polyalphaolefin	680	860	<ul style="list-style-type: none"> · guter Verschleißschutz · gute Alterungsbeständigkeit · NSF H1 registriert* 	<ul style="list-style-type: none"> · Lebensmittelindustrie · Pharmaindustrie

** Dieser Schmierstoff ist als H1-Produkt registriert, d.h. er wurde für den gelegentlichen, technisch unvermeidbaren Kontakt mit Lebensmitteln entwickelt. Erfahrungen haben gezeigt, dass der Schmierstoff unter den in der Produktinformation aufgeführten Voraussetzungen auch für entsprechende Anwendungen in der pharmazeutischen und kosmetischen Industrie verwendet werden kann. Es liegen jedoch keine spezifischen Testergebnisse z.B. zur Biokompatibilität vor, wie sie unter Umständen für Anwendungen im pharmazeutischen Bereich gefordert werden. Daher sollten vor Anwendung in diesem Bereich vom Anlagenhersteller und -betreiber entsprechende Risikoanalysen durchgeführt werden. Bei Bedarf sind Maßnahmen zum Ausschluss von gesundheitlicher Gefährdung und Verletzungen zu treffen.*

(Quelle: Klüber Lubrication)

3.3.3 Fließfette

Für den Einsatz von Fließfetten gelten die gleichen Bedingungen wie beim Einsatz von Schmierölen. Hier ist lediglich die gekippte oder vertikale Einbaulage unkritisch, da Fließfette mit ihrer geringeren Viskosität nicht so leicht wegfließen.

Für den Einsatz in SNR – Kugelgewindetrieben sind geeignete Fließfette in Tabelle 4.2 zusammengefasst.

Tabelle 4.2 __ Fließfette für Kugelgewindetriebe

Bezeichnung	Grundöl / Seifenart	NLGI-Klasse DIN51818	Walkpenetration DIN ISO 2137 bei 25°C [0,1 mm]	Grundöl- Viskosität DIN 51562 bei 40°C [mm²/s]	Dichte [mg/cm³]	Eigenschaften	Einsatzbereich
Isoflex Topas NCA 5051	synthetisches KW-Öl, Spezial-Kalziumseife	0/00	385...415	30	800	· geringer Reibwert	· allgemeiner Maschinenbau
Microlube GB 0	Mineralöl	0	355...385	400	900	· besonders druckfest · guter Verschleißschutz	· allgemeiner Maschinenbau · hohe Lasten · Kurzhubanwendungen · Vibrationen
Klübersynth UH1 14-1600	synthetisches KW-Öl, Aluminium-komplexeife	0/00	370...430	ca. 160	850	· guter Korrosionsschutz · gute Verschleißschutz · NSF H1 registriert*	· Lebensmittelindustrie · Pharmaindustrie

* Dieser Schmierstoff ist als H1-Produkt registriert, d.h. er wurde für den gelegentlichen, technisch unvermeidbaren Kontakt mit Lebensmitteln entwickelt. Erfahrungen haben gezeigt, dass der Schmierstoff unter den in der Produktinformation aufgeführten Voraussetzungen auch für entsprechende Anwendungen in der pharmazeutischen und kosmetischen Industrie verwendet werden kann. Es liegen jedoch keine spezifischen Testergebnisse z.B. zur Biokompatibilität vor, wie sie unter Umständen für Anwendungen im pharmazeutischen Bereich gefordert werden. Daher sollten vor Anwendung in diesem Bereich vom Anlagenhersteller und -betreiber entsprechende Risikoanalysen durchgeführt werden. Bei Bedarf sind Maßnahmen zum Ausschluss von gesundheitlicher Gefährdung und Verletzungen zu treffen.

Quelle: Klüber Lubrication)

3.3.4 Schmierfette

Bei dem überwiegenden Teil der Anwendungen werden Kugelgewindetriebe mit Fettschmierung eingesetzt. Neben dem geringen konstruktiven Aufwand bewirkt der Einsatz von Schmierfetten eine bessere Geräuschkämpfung und auch bessere Notlaufeigenschaften gegenüber Schmierölen und Fließfetten. Für den Einsatz unter normalen Bedingungen sind Lithiumseifenfette mit der Kennzeichnung KP2-K nach DIN 51825 und der NLGI – Klasse 2 nach DIN 51818 mit EP-Zusätzen einzusetzen. Als Standardfett wird SNR LUB HEAVY DUTY verwendet.

Spezifische Anforderungen unter besonderen Umgebungsbedingungen erfordern die Auswahl eines entsprechend geeigneten Schmierfettes. Grundsätzlich ist hier die Verträglichkeit der Schmierstoffe untereinander bzw. mit dem Konservierungsmittel zu prüfen.

Für den Einsatz in SNR – Kugelgewindetriebe sind geeignete Schmierfette in Tabelle 4.3 zusammengefasst.

Tabelle 4.3 __ Schmierstoffe für Kugelgewindetriebe

Bezeichnung	Grundöl / Seifenart	NLGI-Klasse DIN51818	Walkpenetration DIN ISO 2137 bei 25°C [0,1 mm]	Grundöl- Viskosität DIN 51562 bei 40°C [mm²/s]	Dichte [mg/cm³]	Eigenschaften	Einsatzbereich
SNR LUB HEAVY DUTY	Mineralöl / Lithium mit Hochdruck-additiven	2	295	ca. 115	890	· sehr guter Schutz gegen Verschleiß und Korrosion	· allgemeiner Maschinenbau · hohe Lasten
SNR LUB HIGH SPEED+	Esther, SHC / Lithium, Kalzium	2	-	25	900	· sehr gutes Haftvermögen · sehr gute Wasserbeständigkeit	· hohe Geschwindigkeiten
SNR LUB HIGH TEMP	Halb-synthetisches Öl / Polyharnstoff	2	265...295	160	900	· hohe Temperaturbeständigkeit · guter Korrosionsschutz · Oxydationsbeständigkeit	· Hochtemperaturbereich
SNR LUB FOOD AL	Paraffin-Mineralöl, PAO / Aluminiumkomplex	2	265...295	195	920	· guter Korrosionsschutz · sehr gutes Haftvermögen · hohe Wasserbeständigkeit · NSF H1 registriert*	· Lebensmittelindustrie
Microlube GL261	Mineralöl/ Lithium-Spezial-Kalziumseife	1	310...340	280	890	· guter Verschleißschutz · besonders druckfeste Additive gegen Tribokorrosion	· guter Verschleißschutz · besonders druckfeste Additive gegen Tribokorrosion
Klübersynth BEM34-32	synthetisches KW-Öl / Spezial-Kalziumseife	2	265...295	ca. 30	890	· besonders druckfest · guter Verschleißschutz · gute Alterungsbeständigkeit · niedriges Anlaufmoment	· Reinraum-anwendungen
Klübersynth UH1 14-151	synthetisches KW-Öl / Esteröl / Aluminium-Komplexseife	1	310...340	ca. 150	920	· guter Korrosionsschutz · gute Alterungsbeständigkeit · hohe Wasserbeständigkeit · NSF H1 registriert*	· Lebensmittelindustrie · Pharmaindustrie

* Dieser Schmierstoff ist als H1-Produkt registriert, d.h. er wurde für den gelegentlichen, technisch unvermeidbaren Kontakt mit Lebensmitteln entwickelt. Erfahrungen haben gezeigt, dass der Schmierstoff unter den in der Produktinformation aufgeführten Voraussetzungen auch für entsprechende Anwendungen in der pharmazeutischen und kosmetischen Industrie verwendet werden kann. Es liegen jedoch keine spezifischen Testergebnisse z.B. zur Biokompatibilität vor, wie sie unter Umständen für Anwendungen im pharmazeutischen Bereich gefordert werden. Daher sollten vor Anwendung in diesem Bereich vom Anlagenhersteller und -betreiber entsprechende Risikoanalysen durchgeführt werden. Bei Bedarf sind Maßnahmen zum Ausschluss von gesundheitlicher Gefährdung und Verletzungen zu treffen.

(Quelle: Klüber Lubrication)

3.4 Schmiermethoden

SNR - Kugelgewindetriebe können mittels Handfettpresse oder Zentralschmierung mit Schmierstoff versorgt werden.

Bei zylindrischen Muttern muss die Schmierbohrung (Bild 4.1) über einen Schmierkanal im Muttergehäuse zu einem Schmiernippel geführt werden. Flanschmutter haben eine Gewindebohrung im Flansch (Bild 4.2), an der direkt ein Schmiernippel montiert werden kann.

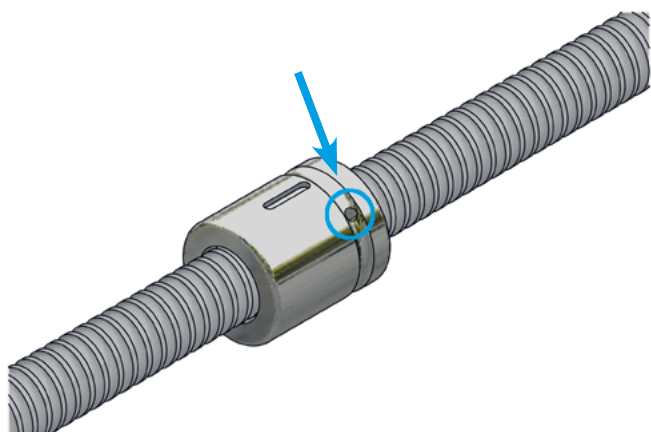


Bild 4.1 _____ Zylindrische Mutter mit Schmierbohrung

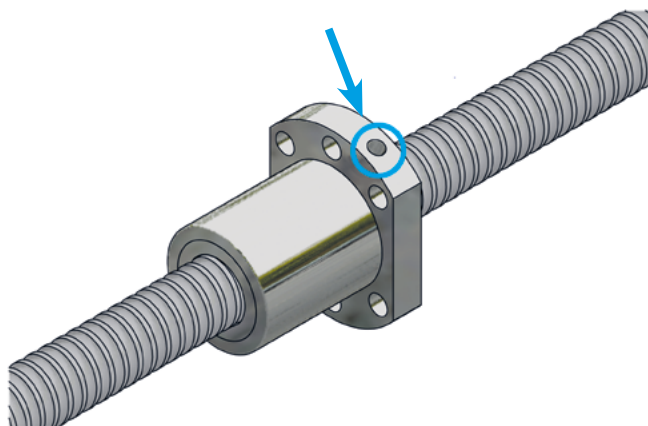


Bild 4.2 _____ Flanschmutter mit Gewindebohrung

3.4.1 Handfettpresse – SNR - LUB GREASE GUN SET

Kugelgewindetriebe können mit der SNR – Handfettpresse (LUB GREASE GUN SET ID-Nummer 273018) nachgeschmiert werden. Zu dem LUB GREASE GUN SET gehören die Handfettpresse, ein Flexschlauch und ein Mundstück für Kegelschmiernippel. Die Handfettpresse kann mit einer Hand betätigt werden. Es können Kartuschen oder direkt unverpacktes Fett aufgenommen werden. Sie wurde für den industriellen Gebrauch mit einem Maximaldruck von 360 bar entwickelt. Pro Hub wird eine geringe, kontrollierte Fettmenge von 0.5 cm³ gefördert.

Bei Einsatz von Handfettpressen (Bild 4.3) wird die Mutter des Kugelgewindetrieb über eine Schmierbohrung nachgefettet.



Bild 4.3 _____ SNR - LUB GREASE GUN SET

3.4.2 Zentralschmierungen

SNR – Kugelgewindetriebe können an eine Zentralschmieranlage angeschlossen werden. Geeignetes Zentralschmierensysteme sind SNR-LUBER-CONTROL (Bild 4.4) und SNR-POLYPUMP (Bild 4.5).

SNR-LUBER-CONTROL besitzt sechs Anschlüsse für Schmierleitungen, die einzeln parametrierbar sind. Wahlweise ist der Einsatz von CONTROL REFILL Einheiten mit 250 cm³ und 500 cm³ Schmierstoffvolumen möglich. Die CONTROL REFILL Einheit ist nach Entleerung auswechselbar oder werksseitig nachfüllbar.

SNR-POLYPUMP ist eine leistungsfähige Zentralschmierung, die einfach einzurichten ist. Sie ermöglicht auf einfachste Weise die gleichzeitige Schmierung von 1 bis 35 Schmierstellen. Über Pumpelemente können mit einem System verschiedene Schmierstellen mit unterschiedlichen Schmiermengen versorgt werden. Der Vorratsbehälter kann bequem mit handelsüblichen Nachfüllkartuschen befüllt werden. Die Anbindung an die vorhandene Maschinensteuerung erfolgt schnell und einfach.



Bild 4.4 _____ SNR-LUBER-CONTROL



Bild 4.5 _____ SNR-POLYPUMP

3.5 Schmiermengen

Die jeweiligen Mindestschmiermengen für Kugelgewindetriebe sind von der Schmierstoffart, Muttertyp und Baugröße abhängig.

Bei der Wartung von Kugelgewindetrieben unterscheidet man zwischen:

- Schmierung bei Inbetriebnahme
- Nachschmierung im Betrieb

Separat gelieferte Muttern für SNR - Kugelgewindetriebe sind bei Anlieferung konserviert und besitzen keine Erstbefettung. Komplet montierte Kugelgewindetriebe werden mit Erstbefettung ausgeliefert, wenn nicht etwas Abweichendes spezifiziert worden ist.

Die Tabellen 4.4 bis 4.11 enthalten die Mindestschmierstoffmengen der verschiedenen Schmierstoffe für die Inbetriebnahme und Nachschmierung mit denen SNR – Kugelgewindetriebe im Betrieb nachzuschmieren sind. Die entsprechende Schmierstoffmenge ist in 3...4 kleinen Teilmengen mit zwischenzeitlicher Bewegung der Mutter über mindesten die doppelte Mutterlänge einzubringen.

Abweichende Schmierstoffmengen können in Abhängigkeit von den Einsatzbedingungen festgelegt werden.

Miniatur – Kugelgewindetriebe mit einem Durchmesser kleiner 12 mm sind nur für Ölschmierung geeignet.

Für weiterführende Informationen stehen Ihnen unsere SNR - Anwendungingenieure zur Verfügung.

Tabelle 4.4 __ Schmierstoffmengen für Kugelgewindemuttern Typ CD

Typ	Fettschmierung		Fließfett schmierung		Ölschmierung	
	Erstbefettung [cm ³]	Nachschmierung [cm ³]	Erstbefettung [cm ³]	Nachschmierung [cm ³]	Erstbefettung [ml]	Nachschmierung [ml]
BNU01605_CD_5	1,8	0,9	1,8	0,9	0,36	0,07
BNU01610_CD_2	1,8	0,9	1,8	0,9	0,36	0,07
BNU01616_CD_1	1,8	0,9	1,8	0,9	0,36	0,07
BNU02005_CD_4	2,1	1,1	2,1	1,1	0,42	0,08
BNU02020_CD_2	4,5	2,3	4,5	2,3	0,90	0,18
BNU02505_CD_4	3,2	1,6	3,2	1,6	0,63	0,13
BNU02510_CD_3	3,9	1,9	3,9	1,9	0,77	0,15
BNU02525_CD_2	6,2	3,1	6,2	3,1	1,25	0,25
BNU03205_CD_5	4,3	2,2	4,3	2,2	0,86	0,17
BNU03210_CD_5	6,9	3,5	6,9	3,5	1,39	0,28
BNU03220_CD_2	6,9	3,5	6,9	3,5	1,39	0,28
BNU03232_CD_2	10,1	5,0	10,1	5,0	2,02	0,40

Tabelle 4.5 __ Schmierstoffmengen für Kugelgewindemuttern Typ CI

Typ	Fettschmierung		Fließfettsschmierung		Ölschmierung	
	Erstbefettung [cm ³]	Nachschmierung [cm ³]	Erstbefettung [cm ³]	Nachschmierung [cm ³]	Erstbefettung [ml]	Nachschmierung [ml]
BNU01205_CI_3	1,0	0,5	1,0	0,5	0,17	0,03
BNU01604_CI_4	1,6	0,8	1,6	0,8	0,32	0,06
BNU01605_CI_4	1,8	0,9	1,8	0,9	0,36	0,07
BNU02004_CI_4	2,0	1,0	2,0	1,0	0,40	0,08
BNU02005_CI_4	2,3	1,1	2,3	1,1	0,45	0,09
BNU02504_CI_4	2,8	1,4	2,8	1,4	0,56	0,11
BNU02505_CI_4	3,2	1,6	3,2	1,6	0,63	0,13
BNU02510_CI_4	6,0	3,0	6,0	3,0	1,19	0,24
BNU03204_CI_4	3,6	1,8	3,6	1,8	0,72	0,14
BNU03205_CI_4	4,1	2,0	4,1	2,0	0,81	0,16
BNU03210_CI_4	7,7	3,8	7,7	3,8	1,53	0,31
BNU04005_CI_4	5,4	2,7	5,4	2,7	1,08	0,22
BNU04010_CI_4	17,0	8,5	17,0	8,5	3,40	0,68
BNU05010_CI_4	23,8	11,9	23,8	11,9	4,76	0,95
BNU06310_CI_4	23,8	11,9	23,8	11,9	4,76	0,95
BNU08010_CI_4	34,0	17,0	34,0	17,0	6,80	1,36

Tabelle 4.6 __ Schmierstoffmengen für Kugelgewindemuttern Typ DC

Typ	Fettschmierung		Fließfettsschmierung		Ölschmierung	
	Erstbefettung [cm ³]	Nachschmierung [cm ³]	Erstbefettung [cm ³]	Nachschmierung [cm ³]	Erstbefettung [ml]	Nachschmierung [ml]
BNU01605_DC_3	2,9	1,5	2,9	1,5	0,58	0,12
BNU01610_DC_2	3,9	1,9	3,9	1,9	0,78	0,16
BNU02005_DC_3	3,8	1,9	3,8	1,9	0,75	0,15
BNU02010_DC_3	6,0	3,0	6,0	3,0	1,20	0,24
BNU02505_DC_3	5,3	2,6	5,3	2,6	1,05	0,21
BNU02510_DC_3	8,5	4,3	8,5	4,3	1,71	0,34
BNU03205_DC_3	7,4	3,7	7,4	3,7	1,48	0,30
BNU03210_DC_3	11,0	5,5	11,0	5,5	2,20	0,44
BNU03220_DC_2	14,4	7,2	14,4	7,2	2,88	0,58
BNU04005_DC_3	10,2	5,1	10,2	5,1	2,04	0,41
BNU04010_DC_3	24,6	12,3	24,6	12,3	4,92	0,98
BNU04020_DC_2	32,4	16,2	32,4	16,2	6,48	1,30
BNU05005_DC_3	15,3	7,7	15,3	7,7	3,06	0,61
BNU05010_DC_3	33,1	16,6	33,1	16,6	6,62	1,32
BNU05020_DC_3	61,0	30,5	61,0	30,5	12,21	2,44

Tabelle 4.7 __ Schmierstoffmengen für Kugelgewindemuttern Typ SC

Typ	Fettschmierung		Fließfettschmierung		Ölschmierung	
	Erstbefüllung [cm ³]	Nachschmierung [cm ³]	Erstbefüllung [cm ³]	Nachschmierung [cm ³]	Erstbefüllung [ml]	Nachschmierung [ml]
BNU01205_SC_2	0,9	0,5	0,9	0,5	0,15	0,03
BNU01210_SC_2	1,4	0,7	1,4	0,7	0,23	0,05
BNU01605_SC_3	1,5	0,7	1,5	0,7	0,30	0,06
BNU01610_SC_2	1,9	0,9	1,9	0,9	0,38	0,08
BNU01616_SC_1	1,8	0,9	1,8	0,9	0,36	0,07
BNU01616_SC_2	2,4	1,2	2,4	1,2	0,49	0,10
BNU01620_SC_1	2,3	1,1	2,3	1,1	0,46	0,09
BNU02005_SC_3	0,9	1,9	0,9	0,4	0,07	0,18
BNU02010_SC_3	1,4	2,9	1,4	0,6	0,11	0,46
BNU02020_SC_1	1,6	3,2	1,6	0,6	0,13	0,52
BNU02020_SC_2	2,3	4,6	2,3	0,9	0,18	0,86
BNU02505_SC_3	2,6	1,3	2,6	1,3	0,52	0,10
BNU02510_SC_3	4,0	2,0	4,0	2,0	0,80	0,16
BNU02525_SC_1	4,6	2,3	4,6	2,3	0,91	0,18
BNU02525_SC_2	6,7	3,3	6,7	3,3	1,33	0,27
BNU03205_SC_3	3,8	1,9	3,8	1,9	0,76	0,15
BNU03210_SC_3	5,4	2,7	5,4	2,7	1,08	0,22
BNU03220_SC_2	7,2	3,6	7,2	3,6	1,44	0,29
BNU03232_SC_1	7,4	3,7	7,4	3,7	1,48	0,30
BNU03232_SC_2	10,4	5,2	10,4	5,2	2,09	0,42
BNU04005_SC_3	5,4	2,7	5,4	2,7	1,08	0,22
BNU04010_SC_3	12,6	6,3	12,6	6,3	2,52	0,50
BNU04020_SC_2	16,4	8,2	16,4	8,2	3,28	0,66
BNU04040_SC_1	21,0	10,5	21,0	10,5	4,20	0,84
BNU04040_SC_2	29,0	14,5	29,0	14,5	5,80	1,16
BNU05005_SC_3	8,1	4,1	8,1	4,1	1,62	0,32
BNU05010_SC_3	16,3	8,2	16,3	8,2	3,26	0,65
BNU05020_SC_3	25,9	13,0	25,9	13,0	5,18	1,04
BNU05050_SC_1	30,0	15,0	30,0	15,0	6,00	1,20
BNU05050_SC_2	30,0	15,0	30,0	15,0	6,00	1,20

Tabelle 4.8 __ Schmierstoffmengen für Kugelgewindemuttern Typ SH

Typ	Fettschmierung		Fließfettschmierung		Ölschmierung	
	Erstbefüllung [cm ³]	Nachschmierung [cm ³]	Erstbefüllung [cm ³]	Nachschmierung [cm ³]	Erstbefüllung [ml]	Nachschmierung [ml]
BNU00802.5_SH_2					0,05	0,01
BNU01002_SH_3					0,07	0,01
BNU01004_SH_2					0,10	0,02
BNU01204_SH_3	1,0	0,5	1,0	0,5	0,17	0,03
BNU01205_SH_3	1,2	0,6	1,2	0,6	0,20	0,04
BNU01404_SH_3	1,4	0,7	1,4	0,7	0,28	0,06
BNU01604_SH_3	1,3	0,6	1,3	0,6	0,26	0,05
BNU01605_SH_3	1,7	0,8	1,7	0,8	0,34	0,07
BNU02005_SH_3	2,3	1,1	2,3	1,1	0,45	0,09
BNU02505_SH_4	4,8	2,4	4,8	2,4	0,97	0,19

Tabelle 4.9 __ Schmierstoffmengen für Kugelgewindemuttern Typ SK

Typ	Fettschmierung		Fließfettschmierung		Ölschmierung	
	Erstbefettung [cm ³]	Nachschmierung [cm ³]	Erstbefettung [cm ³]	Nachschmierung [cm ³]	Erstbefettung [ml]	Nachschmierung [ml]
BNU00601_SK_3					0,02	0,00
BNU00801_SK_4					0,03	0,01
BNU00802_SK_3					0,03	0,01
BNU00802.5_SK_3					0,05	0,01
BNU01002_SK_3					0,08	0,02
BNU01004_SK_3					0,10	0,02
BNU01202_SK_4	0,8	0,4	0,8	0,4	0,14	0,03
BNU01204_SK_3	0,8	0,4	0,8	0,4	0,14	0,03
BNU01205_SK_3	0,8	0,4	0,8	0,4	0,14	0,03
BNU01402_SK_4	0,8	0,4	0,8	0,4	0,14	0,03

Tabelle 4.10 _ Schmierstoffmengen für Kugelgewindemuttern Typ SU

Typ	Fettschmierung		Fließfettschmierung		Ölschmierung	
	Erstbefettung [cm ³]	Nachschmierung [cm ³]	Erstbefettung [cm ³]	Nachschmierung [cm ³]	Erstbefettung [ml]	Nachschmierung [ml]
BNU01605_SU_4	1,8	0,9	1,8	0,9	0,36	0,07
BNU01610_SU_3	2,3	1,1	2,3	1,1	0,46	0,09
BNU02005_SU_4	2,6	1,3	2,6	1,3	0,51	0,10
BNU02505_SU_4	3,6	1,8	3,6	1,8	0,71	0,14
BNU02510_SU_4	5,6	2,8	5,6	2,8	1,12	0,22
BNU03205_SU_4	4,7	2,3	4,7	2,3	0,94	0,19
BNU03210_SU_4	7,7	3,8	7,7	3,8	1,53	0,31
BNU04005_SU_4	6,6	3,3	6,6	3,3	1,32	0,26
BNU04010_SU_4	17,6	8,8	17,6	8,8	3,52	0,70
BNU05010_SU_4	21,1	10,6	21,1	10,6	4,22	0,84
BNU06310_SU_4	26,0	13,0	26,0	13,0	5,21	1,04
BNU06320_SU_4	39,0	25,0	39,0	25,0	7,30	1,60
BNU08010_SU_4	37,2	18,6	37,2	18,6	7,44	1,49
BNU08020_SU_4	55,0	27,0	55,0	27,0	11,00	2,30

Tabelle 4.11 _ Schmierstoffmengen für Kugelgewindemuttern Typ TW

Typ	Fettschmierung		Fließfettschmierung		Ölschmierung	
	Erstbefettung [cm ³]	Nachschmierung [cm ³]	Erstbefettung [cm ³]	Nachschmierung [cm ³]	Erstbefettung [ml]	Nachschmierung [ml]
BNU01605_TW_4	3,0	1,5	3,0	1,5	0,60	0,12
BNU02005_TW_4	4,3	2,1	4,3	2,1	0,85	0,17
BNU02505_TW_4	6,0	3,0	6,0	3,0	1,20	0,24
BNU02510_TW_4	9,1	4,6	9,1	4,6	1,82	0,36
BNU03205_TW_4	7,8	3,9	7,8	3,9	1,57	0,31
BNU03210_TW_4	13,1	6,5	13,1	6,5	2,61	0,52
BNU04005_TW_4	10,8	5,4	10,8	5,4	2,16	0,43
BNU04010_TW_4	29,6	14,8	29,6	14,8	5,92	1,18
BNU05010_TW_4	35,5	17,8	35,5	17,8	7,10	1,42
BNU06310_TW_4	42,8	21,4	42,8	21,4	8,57	1,71
BNU08010_TW_4	61,2	30,6	61,2	30,6	12,24	2,45

3.6 Schmierintervalle

Die Nachschmierintervalle werden von vielen Faktoren (Kapitel 3.2) beeinflusst. Den größten Einfluss haben in der Regel die Belastung und die vorhandenen Verschmutzungen. Genaue Nachschmierintervalle können nur nach Ermittlung unter realen Einsatzbedingungen und Beurteilung über einen ausreichend langen Zeitraum für eine konkrete Anwendung festgelegt werden.

Als Richtlinie zur Festlegung des Nachschmierintervalls unter normalen Verschmutzungsbedingungen für Kugelgewindetriebe mit Fließfett- oder Fettschmierung dienen die Diagramme in den Bildern 4.5 und 4.6.

Die Nachschmierintervalle werden als Anzahl der Umdrehungen ($s_{\#}$) des Kugelgewindetriebs in Abhängigkeit von dem Verhältnis der mittleren Axialbelastung (F_m) zur dynamischen Tragzahl (C_d) für die jeweiligen Nenndurchmesser (d_0) dargestellt.

Unter realen Einsatzbedingungen ist die Festlegung Schmierintervalls nach der Laufleistung in Kilometer leichter zu ermitteln als nach der Anzahl der Umdrehungen.

Die Laufleistung in Kilometer errechnet sich nach der Formel [4.1].

$$s = \frac{s_{\#} \times P}{10^6}$$

[Formel 4.1]

- s** Nachschmierintervall [km]
- s_#** Nachschmierintervall [Umdrehungen]
- P** Spindelsteigung [mm]

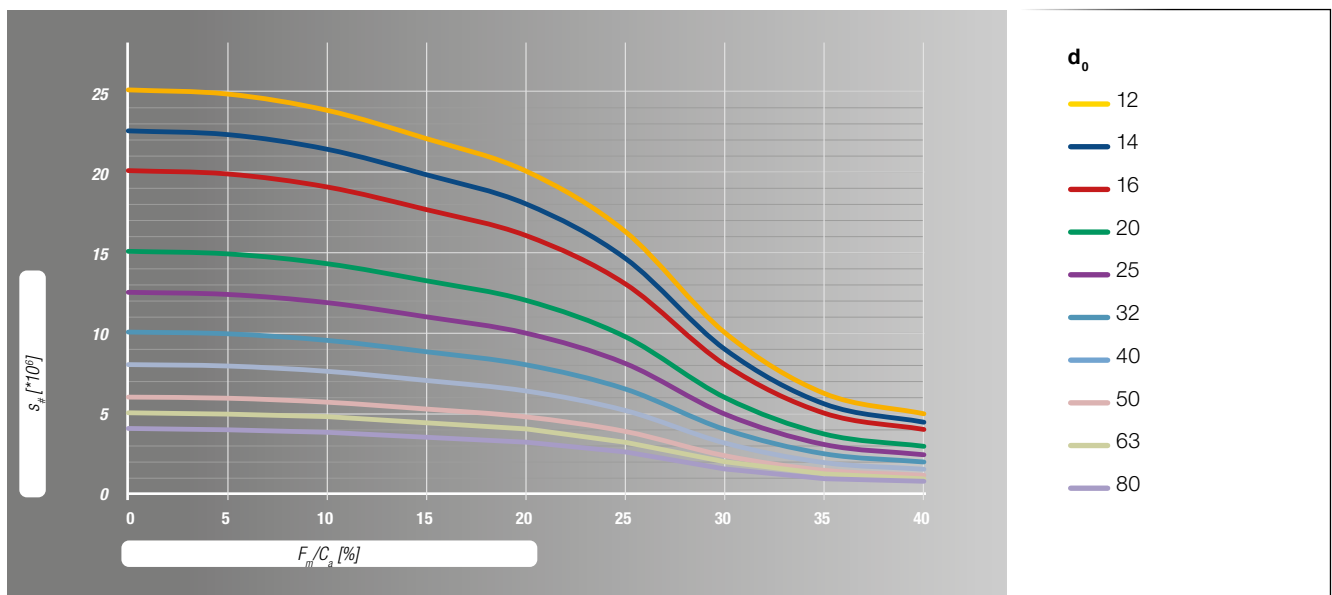


Bild 4.6 _____ Schmierintervall für Kugelgewindetriebe mit Fettschmierung

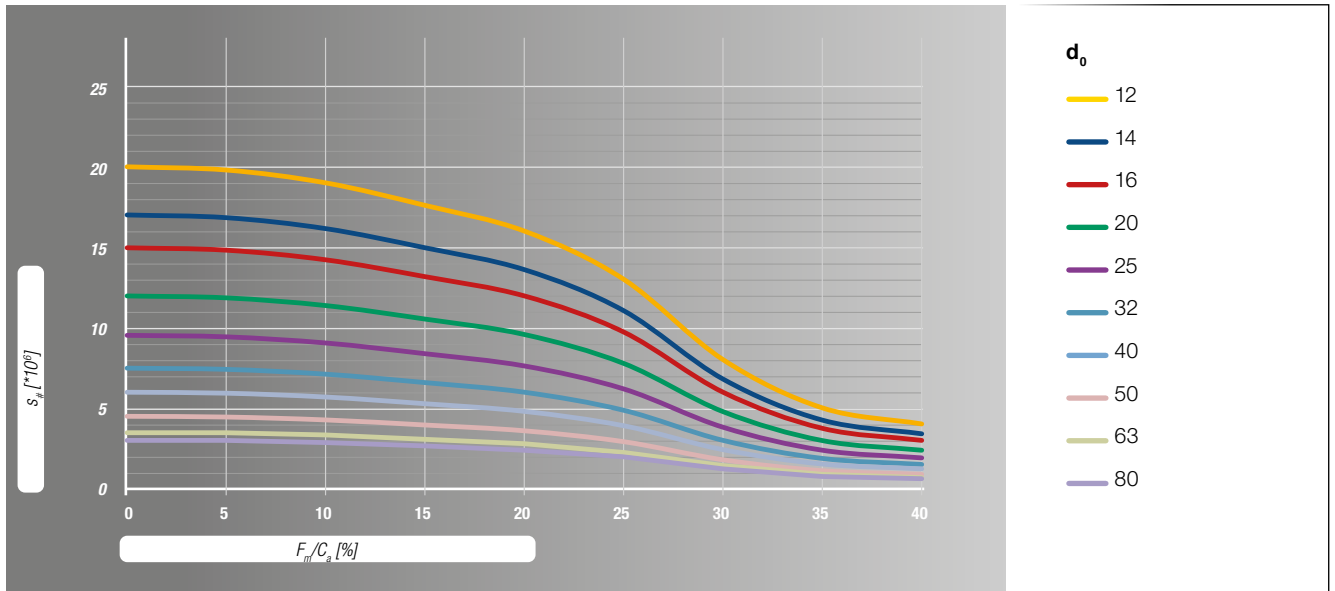


Bild 4.7 _____ Schmierintervall für Kugelgewindetriebe mit Fließfettschmierung

Als Richtlinie zur Festlegung des Nachschmierintervalls unter normalen Verschmutzungsbedingungen für Kugelgewindetriebe mit Ölschmierung dient das Diagramm in Bild 4.7.

Neben dem Nachschmierintervall als Anzahl der Umdrehungen (s_n) ist bei Ölschmierung auch das Nachschmierintervall in Betriebsstunden (s_p) zu berücksichtigen, da die Öle bei wenig Bewegungen durch die Schwerkraft aus der Kontaktstelle herausfließen. Das Kriterium, dass zuerst erreicht wird, bestimmt das Nachschmierintervall.

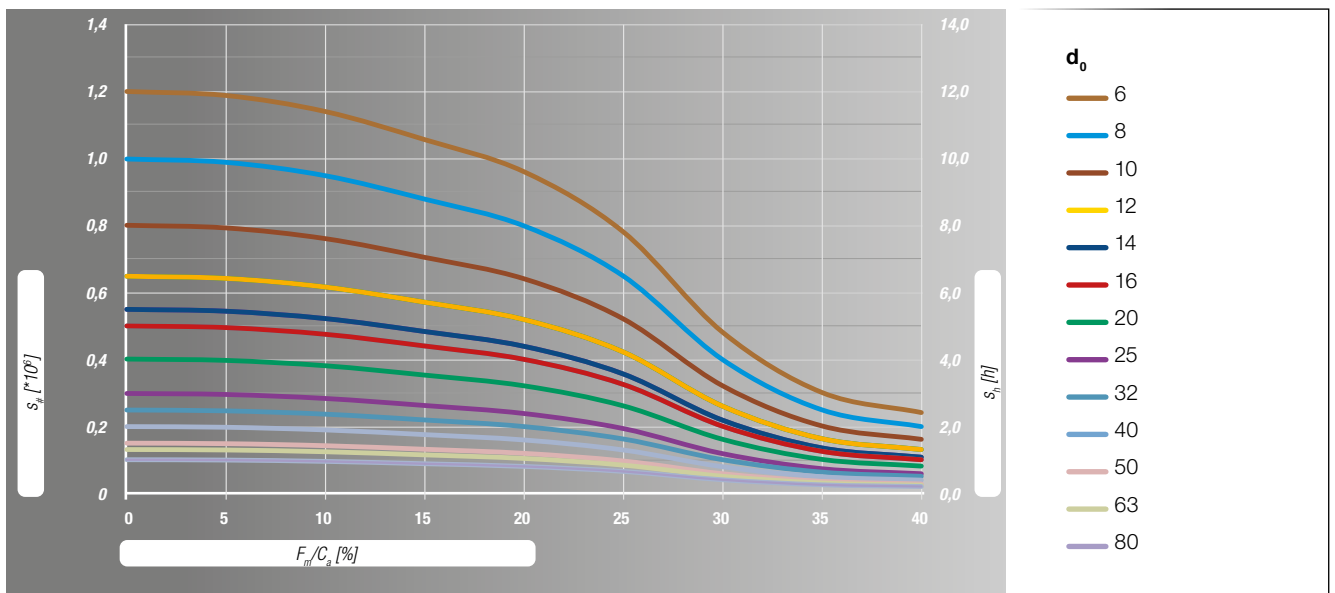


Bild 4.8 _____ Schmierintervall für Kugelgewindetriebe mit Ölschmierung

Auch hier kann die Laufleistung in Kilometer nach der Formel [4.1] errechnet werden. Sind die Betriebsstunden (s_p) das zuerst eintretende Kriterium, ist für die Berechnung die Anzahl der Umdrehungen (s_n) auf der gegenüberliegenden Achse anzuwenden.

Bei Kurzhubanwendungen ($\text{Hub} \leq \text{Mutternlänge}$) empfiehlt es sich, die Schmierintervalle zu verkürzen.

Für weiterführende Informationen stehen Ihnen unsere SNR - Anwendungsingenieure zur Verfügung.

More information concerning our NTN-SNR products for linear motion is provided in our catalogues.
 Mehr Informationen zu NTN-SNR Produkten aus dem Bereich Linear Motion finden Sie in unseren Katalogen.



NTN-SNR Linear Motion
 Linear Axis
 Linearachsen



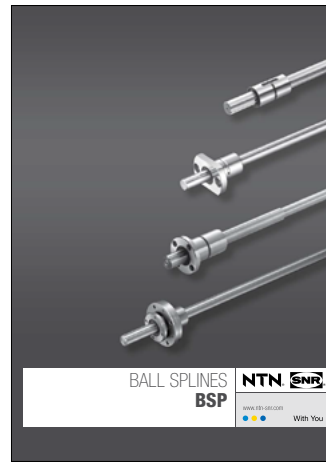
NTN-SNR Linear Motion
 Linear Guides
 Linearführungen



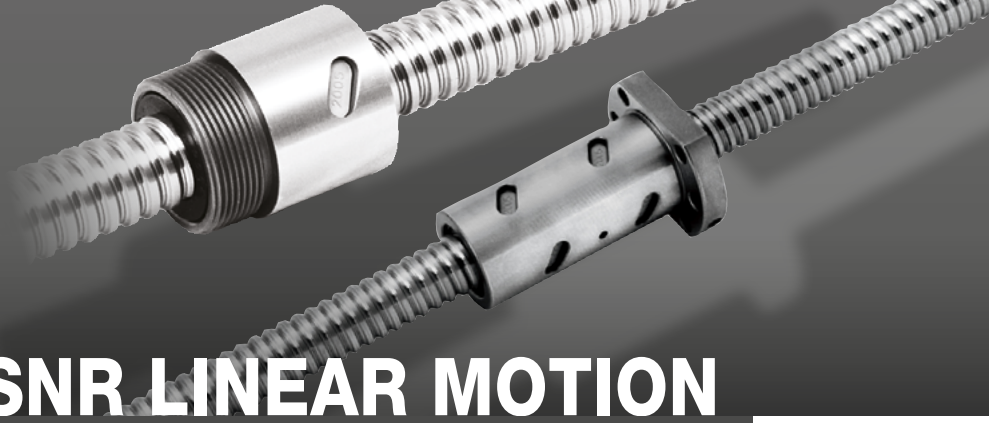
NTN-SNR Linear Motion
 Ball bushings
 Kugelbuchsen



NTN-SNR Linear Motion
 Linear Axis AXE
 Linearachsen AXE



NTN-SNR Linear Motion
 Ball splines
 Nutwellenführungen



NTN-SNR LINEAR MOTION

OPERATING MANUAL BALL SCREWS

BETRIEBSANWEISUNG KUGELGEWINDETRIEBE



www.ntn-snr.com/ball-screws

This document is the exclusive property of NTN-SNR ROULEMENTS. Any total or partial reproduction hereof without the prior consent of NTN-SNR ROULEMENTS is strictly prohibited. Legal action may be brought against anyone breaching the terms of this paragraph.

NTN-SNR ROULEMENTS shall not be held liable for any errors or omissions that may have crept into this document despite the care taken in drafting it. Due to our policy of continuous research and development, we reserve the right to make changes without notice to all or part of the products and specifications mentioned in this document.

© NTN-SNR ROULEMENTS, international copyright 2021.

Das vorliegende Dokument ist das alleinige Eigentum von NTN-SNR ROULEMENTS. Jegliche vollständige oder teilweise Reproduktion ohne vorherige Genehmigung von NTN-SNR ROULEMENTS ist ausdrücklich verboten. Bei einem Verstoß gegen diesen Absatz können Sie strafrechtlich verfolgt werden.

Für Fehler oder Unterlassungen, die sich trotz aller Sorgfalt bei der Erstellung in das Dokument eingeschlichen haben könnten, lehnt NTN-SNR ROULEMENTS jede Haftung ab. Aufgrund einer kontinuierlichen Forschungs- und Entwicklungspolitik behalten wir uns vor, einzelne oder alle der in diesem Dokument dargestellten Produkte und Spezifikationen ohne Vorankündigung zu ändern.

© NTN-SNR ROULEMENTS, Internationales Copyright 2021.

